

- Complying with ISO 8846 EN 55014
- Can run dry
- Pump body and gear is made of PTFE
- PATENTED
- Simple design and easy upkeep
- Reversible flow direction (switch not included)
- Can pump oil, diesel. and also alkaline solution and with PTFE seals on request

**MODEL 12 V - GEAR PUMP**

CD. 8500000312 Thread 3/8" DIAM. 14  
Amp draw: 4 Amp Voltage: 12V. Capacity: 8 lt./min.

**MODEL 24 V - GEAR PUMP**

CD. 8500000324 DIAM. 14 mm Thread 3/8"  
Amp draw: 2 Amp Voltage: 24V. Capacity: 8 lt./min.

CD:8500010324 GEAR PUMP WITH TRANSFER OIL KIT  
CD:8500010312 GEAR PUMP WITH TRANSFER OIL KIT  
DIMENSIONS: 151x78x95 mm.

This product complies with MATROMARINE's 1-year warranty standards. . See [www.matromarine.com](http://www.matromarine.com)

**CAUTION:** Read all instructions carefully before installing and using this product. **WARNING:** To prevent injury, always disconnect the power source when installing or servicing any electrical product.

Always use the fuse amperage rating specified for your pump model. Failure to do may cause serious personal injury or fire hazards. The pump has been designed for discontinuous use. Under conditions of high operating pressures (by closed or blocked outlet, excessive length of the delivery circuit and/or excessive pressure due to accessories), the pump can be stressed too much and overheated. Therefore it should not be used for prolonged periods under such conditions. The pump can be mounted in any position. Fix the pump by means of suitable fastening screws just on the antivibration mounts supplied with the pump.

**TUBING CONNECTION:** Before making any tube/hose connections, check that the inlet ports have no end caps.

- Do not position the pump higher than 0.8 m with respect to the minimum level of the fluid to be transferred. Pump damage may occur if this height is exceeded as the pump may not draw fluid. Make sure that the outlet tube is empty and without chokes. Avoid choking the inlet or outlet tubes so that pump efficiency is guaranteed..

**PUMP INSTALLATION:**The electrical installation of the pump must include a protection fuse which is properly rated as indicated on the motor label. **WARRANTY EXPIRES IF NO FUSE IS UTILIZED.**

Always mount the anti-vibration rubber fittings supplied with the pump kit. Their usage ensures a consistent noise reduction and lower vibration levels. Electrical cabling size should depend on the distance between pump and battery power supply Up to 5 m length: 1,5mmq Up to 10 m length: 2,5mmq Over 10 m length: 4mmq

The use of undersized cabling may cause overheating of the electrical wiring and subsequent fire hazard. There will also be a voltage drop at the motor terminals with a consequent reduction in efficiency. The flow rate value indicated on the motor label is obtained with a 13 mm internal hose diameter. Hoses having inferior diameters will cause an increase in current with potential risk of motor overheating. To ensure the correct directional flow of the fluid as indicated by the arrow on top of the pump, it is necessary to connect the positive pole of the battery supply to the (+) marked terminal on the motor end-cap and the negative pole to the (-) marked terminal. Electrical connections must be made using suitable terminal blocks and connectors ensuring a tight laying of the electrical cables. Bad wiring can cause power losses and/or overheating of the cabling itself. **WARNING:** it will be the Installer/Technician's responsibility to ensure a correctly designed circuit installation according to the regulations in force. Environmental risks must be taken into account as well, of course.

**OPERATION:** Secure 16mm (5/8") id hose direct to the discharge ports by using stainless steel hose clamps. Use spiral reinforced hose (with a smooth internal bore) that will not collapse under suction, or rigid or semi-rigid pipework systems. The pipework must be compatible with the liquid being pumped. Pipe runs should be kept as straight and short as possible, thus avoiding rising and dipping over obstructions. Fit a filter on the inlet to prevent debris from getting into the pump.

**TROUBLESHOOTING: WHY DOESN'T THE PUMP GET STARTED?** - Check the effectiveness of the battery power supply (voltage activity), - Check if the fuse has blown - Check for any foreign bodies inside the pump gear drives. To do so, disconnect the power supply, unscrew the four fixing screws and remove all residuals, - The average life span of the motor commutator brushes is approximately 800/1000 hours under normal operating conditions. Stops are possible due to brush wear and tear after such a time period. **WHY ISN'T THE PUMP SELF-PRIMING?** The pump is fitted at a height over 0.8/1 m above the fluid level; - The pump has run dry for too long a period;

- Long periods of inactivity: in this case it is advisable to add liquid directly into the pump chamber before start-up. It is also advisable to add a drop of lubricating oil inside the pump only before starting the pump.

- Air leak at the suction pipe due to the following reasons: possible cuts in the pipe, improper hose clamps, malfunctioning of the filter due to defective/worn out seals or clogged filter.

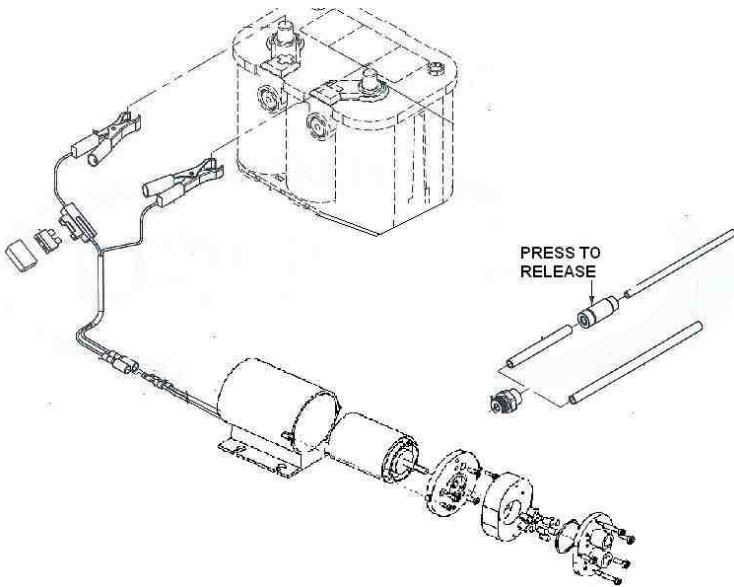
- Air leak at the pump front plate cover due to the following reasons: A) loose fixing screws; B) poor effectiveness of the seal; C) faulty electrical cable connections; D) presence of obstructions or restrictions in suction or delivery pipes or use of special devices (automatic spray pistols or aqua-stop); E) Presence of liquid loops in the outlet tube.

**CARE AND MAINTENANCE:**

No particular maintenance is required if the pump is employed for the transfer of diesel fluids or oils. If it is expected that the pump will not be used for a period of at least 30 days. Especially in case of use with fresh or salty water, it is advisable to run fresh water through the pump and then loosen the pump front plate screws. Upon re-use, run the pump shortly (a few seconds) and then tighten the screws again. Under maximum operating pressure conditions check that the motor current value is within the motor label specifications.

**.TO OPEN THE PUMP:**

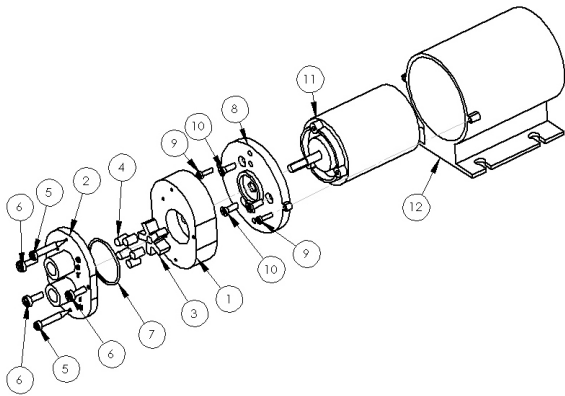
- It is recommended that a skilled technician is consulted for any repair work or replacement of worn-out inside components (exclusively original spare parts are to be used).
  - During the whole warranty period the pump will have to be opened and inspected only by Matromarine Products' authorized personnel, failing which warranty will automatically expire
- During the warranty period, only by authorized Matromarine Products personnel, failing which the warranty will expire.



**Oil transfer pump:**

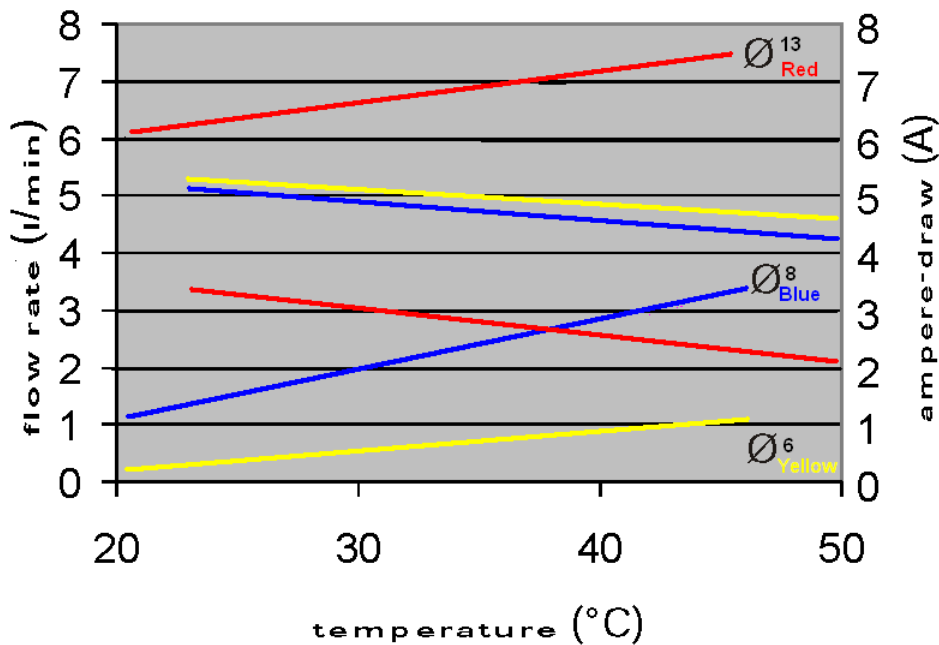
- 1) Mounts 4 vibration dampeners on the motor
- 2) Mount the hose fitting complete of oring inlet you can use 8 mm or 8/6 rilsan hoses
- 3) Fit the hose clamp on the hoses
- 4) As an option you can mount the rilsan hose on the inlet side 8 mm and 6 mm hose between the reduction. Do not mount hoses less than 12 mm diam. on the outer connection.
- 5) Connect the red wire to the positive pole of the battery between the extension lead
- 6) Connect the black wire to the negative pole of the battery between the extension lead
- 7) To revert the flow direction connect the red cable terminal on the black wire of the extension lead and viceversa.

DIMENSIONS: 140x80x85 mm  
 WEIGHT: 0,7 Kg.



**Exploded view:**

Motor group: 8500010312 12 v  
 Motor group: 8500010324 24 v  
 Pump body group: 8500010300  
 Kit hoses .CD8500000310  
 Kit wires with clamps to be requested apart



**WARRANTY**

Products are guaranteed 1 year.  
 No warranty will be recognized if the fitted instructions regarding the electrical system and the directions for use have not been properly followed.  
 Warranty does not cover any installation costs involved  
 Warranty becomes null and void in case of incorrect utilization  
 TO TAKE ADVANTAGE OF WARRANTY, ALL ARTICLES MUST BE SENT BACK COMPLETE WITH ASSEMBLING INSTRUCTIONS AND EVIDENCE OF PURCHASE.