



# MARINE PRODUCT GUIDE

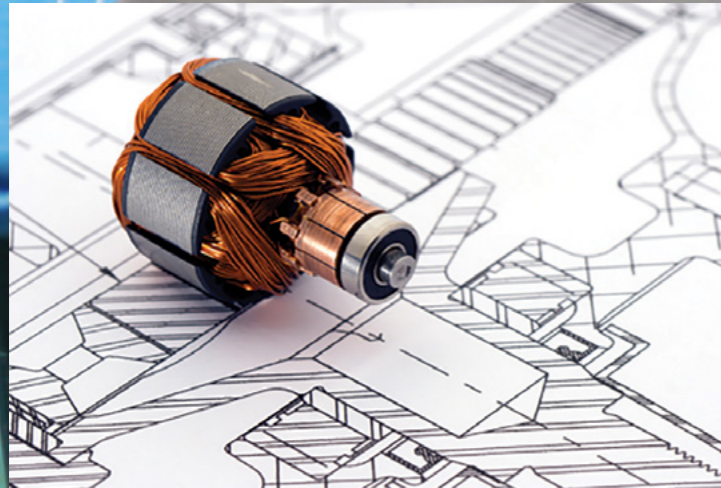


PLEASURE BOAT IS OUR PASSION

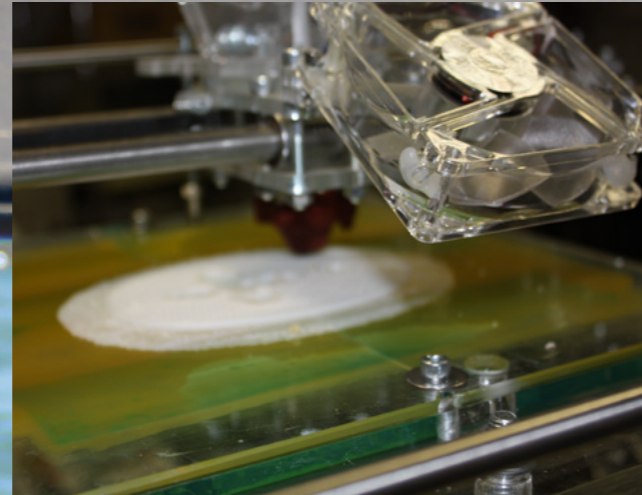




**LATEST TECHNOLOGY IN DC MOTOR MANUFACTURING**



**ENGINEERING & RAPID PROTOTYPING: INNOVATIVE R&D DEPT.**



**PREMIUM CERAMIC DESIGN AND MANUFACTURING**



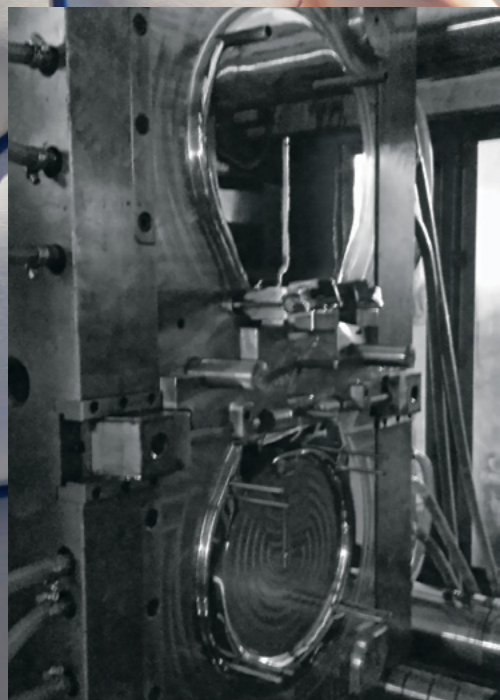
**MOST OF OUR STAFF WITH OVER 30 YEARS OF EXPERIENCE WITH US**



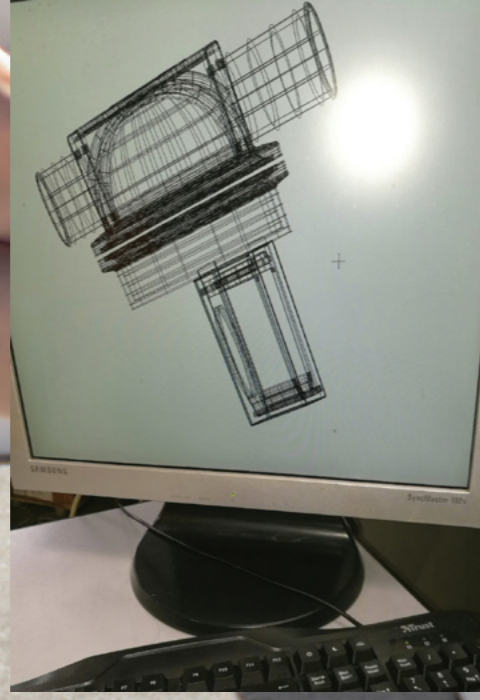
**WELL KNOWN FOR COMPLYING WITH CUSTOMERS REQUESTS OEM AND AFTERMARKET**



**LATEST TECHNOLOGY IN INJECTION MOULDING**



**INNOVATIVE DESIGN ENGINEERING**



**NEW EXCLUSIVE FULL COLOUR PACKAGING**



**ALL PRODUCTS ARE 100% TESTED IN OUR MANUFACTURING FACILITY**



**35 EMPLOYEES AND 2000 M<sup>2</sup> OF PRODUCTION AREA AND WORKSHOP.**







Ocean Technologies is a marine equipment manufacturing brand developed by Matromarine Products, an internationally recognized manufacturer of high quality products used in the recreational and commercial marine industries. The worldwide sales, marketing and distribution of Ocean Technologies products is conducted by select marine professional groups the world over. Nearly 41 years of experience providing solution for marine equipment need to ensure a high quality standard. We are certified ISO 9001. Today Matromarine is producing not only toilets and pumps, but can boast of a range of over 100 articles for pleasure crafts, many of which are bearing the mark and the approval of R.I.N.A., according to Solas rules. Today the use of advanced technology enables Matromarine to reach the highest International Quality Standards, allowing the creation of highly competitive products that are exported daily to more than 56 countries. Thanks to own experience, innovations and trade expansion in the last few years, Matromarine is now acknowledged as a leading manufacturer in this business field. This is also due to a skilled and versatile organization offering a top qualified and professional management team geared to the needs of the individual customer.



CONTENTS:

Marine toilets .....	4
Wastewater handling .....	11
Marine pumps .....	14
Marine lights .....	21
Blowers and horns .....	24
Drawing and service parts .....	26
Matromarine worldwide .....	31

**IMPORTANT:**  
**We are manufacturers of all articles shown in the catalogue. Upon request we can supply electric motors and equipments at low tension according with your specification.**

Since high quality has always been a signature trademark of all Matromarine products, you can be sure that you'll receive only top marketed quality products.

**CE** marked according to the following Standards:  
 EN 55014 Radio disturbance  
 ISO 8846 Protection against Ignition of surrounding flammable gases

## Marine Toilets & Waste kit:

There is a matromarine toilet to suit every boat and budget. Matromarine toilets are the world's best selling designed for ease of service in restricted spaces with all the fastenings facing the front or the top. performance, reliability, noise level and design have really reached the highest standards.

Available in 3 different basic models: electric standard, electric silence or manual operation competitively, the fine finish and well thought design of these toilets is remarkable. Made of white vitreous porcelain, and with corrosion resistant parts throughout, matromarine toilets are silent, robust and easy to clean. all toilets are built around a simple, very easy and interchangeable macerator jet pump. Reliability has been proven over three decades in a variety of matromarine toilet models and around 500.000 units sold all over the world by ocean technologies brand and other private label leaders in the marine field. Each and every toilet is designed, manufactured and manually tested to provide years of trouble free service

These toilets have got a soft close seat to prevent any noise that could disturb the sleep and the peacefulness of the people onboard. Luxury toilets are equipped with Duroplast seat and lid with quick-release as standard. The quick-release system enables the removal of the whole seat unit on the touch of a button. This makes the cleaning of all toilet spots much easier. New flushing system available for the whole range of ocean technologies toilets. this new intake elbow with innovative

spray nozzle maximizes hygiene thanks to the high pressure water jet. Low water consumption per flow. Now cleaning will be faster and better and finally covering 100% of the bowl rinse surface. the high rotation speed of of the new macerator pump and the geometric design of its piping create a great vacuum able to remove water and organic waste from the bowl.

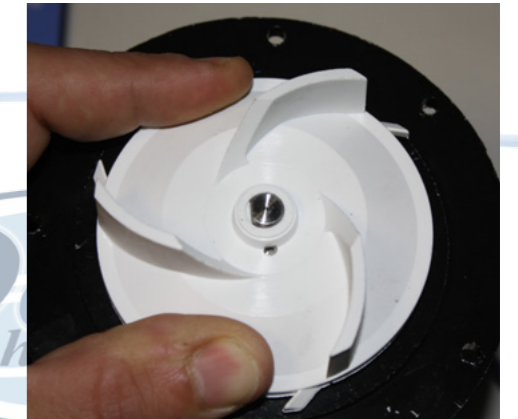
The centrifugal pump on the silent version luxury and laguna toilets (picture a) is complies with iso 13857 (machinery safety distances) all toilets are equipped with exclusive seats and can fit an integrated bidet system



**NEW SPRAY NOZZLE**



**NEW PUMP <80 DB.**



PICTURE A



## Electric Evolution Toilets

Matromarine has realized a range of toilets where performance, reliability, noise level and design have really reached the highest standards. The running cycle is completely automatic and eliminates wastewater through a high-performance pump that allows drainage of waste up to 4 m. in height and at a distance of 40 m. New flush pump integrated in the whole kit with 360° orientable discharge port connection 1" and 1 1/2". Noise level is optimized against the standard electric toilets and reduced up to 30% lower while performance is increased of 50%. A special new duck valve on the discharge port connection prevents any return of black water.



- Combined pump unit for flushing and wasting
- Extremely silent operation
- New high-performance discharge pump
- Kit conversions are interchangeable with Jabsco, TMC, RM69, SPX etc.
- Reversible pump mounting on left or right handed installation
- All corrosion resistant material for marine use .
- Spray nozzle elbow and soft close seat



PART. N.	BOWL TYPE	VOLT	AMP	SEAT TYPE	SOFT CLOSE	CONVERSION KIT	DIMENSION IN MM. (width,depth,height) Open=high with seat open	KG	HOSE CONNECTION (ORIENTABLE 360°)
6400000712	COMPACT	12	17	6500000002	YES	5600000112	335X420X390(670)OPEN	10	25 MM, 38 MM
6400000724	COMPACT	24	8	6500000002	YES	5600000124	335X420X390(670)OPEN	10	25 MM, 38 MM
6400000812	COMFORT	12	17	6500000004	YES	5600000112	365X460X385(730)OPEN	11	25 MM, 38 MM
6400000824	COMFORT	24	8	6500000004	YES	5600000124	365X460X385(730)OPEN	11	25 MM, 38 MM
6400000312	SPACE SAVER	12	19	6500000002	YES	5600000112	365X460X325(670)OPEN	9	25 MM, 38 MM

## Manual toilets:

Our newest design allows the boat owner or service agent to easily replace the existing toilet without having to bore new holes. Can easily substitute Jabsco, RM and many other brands. Fixing holes are same of Jabsco manual Toilet. The toilet may be mounted both above and below the waterline; the fitted pump is a self priming one; the reversible left-handed pump mounting enables to install the toilet indifferently on both sides; waste discharge is possible both over-board and into a holding tank on board; Soft close plastic seat or wooden seat- Gross weight 10 kg



- Kit conversions are interchangeable Jabsco, TMC, RM69, JP, etc.
- Reversible pump mounting on left or right handed installation
- Full sized external seal housing allows quick clean seal replacement and instant access to pump cylinder.
- Angled pump and long stroke for more comfortable operation
- Innovative brake bushing prevents annoying leakage at the handle
- Spray nozzle elbow and soft close seat

PART. N.	BOWL TYPE	SOFT CLOSE	SEAT	PORT CONNECTIONS	CONVERSION KIT	DIMENSIONS (depth,width,height)
6800200700	Space saver	YES	6500000002	inlet. 19 mm outlet 38 mm	6100000700	400x450x295mm
6600200700	Compact	YES	6500000002	inlet. 19 mm outlet 38 mm	6100000700	400x450x340mm
6600000700	Compact	NO	6500000001	inlet. 19 mm outlet 38 mm	6100000700	400x450x340mm
6600200800	Comfort	YES	6500000004	inlet. 19 mm outlet 38 mm	6100000700	460x470x335mm

## Electric Toilet silent: flush pump or electrovalve needs to be ordered apart

Electric silent (hydrovacuum): The new line of fitted design bowls in vitreous china makes this toilet very comfortable and attractive, just like a home toilet. The base is impact resistant. It can be installed either above or below the sea level. Matromarine has realized a range of toilets where performance, reliability, noise level and design have really reached the highest standards. The running cycle is completely automatic and eliminates wastewater through a high-performance pump that allows drainage of waste up to 7 m. in height and at a distance of 70 m.

This hydrovacuum toilet can use an automatic water system or a flush pump installed onboard for water inlet. It is fitted with an electronic switch to regulate automatically water inlet and outlet at 2 different stages: first the bowl is filled up with clear water, and then waste is discharged by leaving the bowl empty and clean. The Luxury and Deluxe model toilets can be installed indifferently with a centralized system or with a single system. Deluxe can also operate as a bidet: in fact, it is possible to supply it equipped with an optional bidet fitting. The water consumption is very low (about 1 - 2,5). Flush pump or electrovalve to be ordered apart. Upon request bowls are available in the following colours: champagne - light green - black -blue. Port connections: Inlet. 19mm. 3/4", Outlet 25/38 1 1/2

PART. N.	BOWL TYPE	VOLT	AMP	SEAT TYPE	SOFT CLOSE	CONVERSION KIT	DIMENSION IN MM. (width,depth,height) Open=high with seat open	WEIGHT KG	BIDET FITTINGS
6600200712	COMPACT	12	17	6500000002	YES	5600000712	335X420X390(670)OPEN	10	NO
6600200724	COMPACT	24	8	6500000002	YES	5600000724	335X420X390(670)OPEN	10	NO
6600200812	COMFORT	12	17	6500000004	YES	5600000712	365X460X385(730)OPEN	11	NO
6600200824	COMFORT	24	8	6500000004	YES	5600000724	365X460X385(730)OPEN	11	NO
6600200912	LAGUNA	12	19	6500000002	YES	5500019712	340X405X410(720)OPEN	18	NO
6600200924	LAGUNA	24	10	6500000002	YES	5500019724	340X405X410(720)OPEN	18	NO
6500002042	LUXURY LOW	12	30	6500000007	YES	5500019812	365X455X385(790)OPEN	20	NO
6500002044	LUXURY LOW	24	16	6500000007	YES	5500019824	365X455X385(790)OPEN	20	NO
6500002242	LUXURY STD	12	30	6500000007	YES	5500019812	365X455X455(860)OPEN	21	NO
6500002244	LUXURY STD	24	16	6500000007	YES	5500019824	365X455X455(860)OPEN	21	NO
6500002112	LUXURY LOW BEV.	12	25	6500000007	YES	5600000712	365X455X385(720)OPEN	20	NO
6500002124	LUXURY LOW BEV.	24	13	6500000007	YES	5600000724	365X455X385(720)OPEN	20	NO
6500003212	DELUXE STANDARD	12	25	6500000008	NO	5500019812	365X455X455(840)OPEN	21	6500000015
6500003224	DELUXE STANDARD	24	13	6500000008	NO	5500019824	365X455X455(840)OPEN	21	6500000015



All silent toilets are supplied with IC. Intelligent control system panel 3 function control :Before use,After use, Short use and a Trimmer to regulate flow rate from 1 to 5 liters.



Alternatively A Rocker switch with Carling components can be supplied

Electric silent compact



Electric silent comfort



Deluxe STD. silent



Luxury low bev.silent



Laguna electric silent soft close seat



Luxury STD "soft close"seat.



Luxury low "soft close"seat.





## Electric standard toilets

The well proven and popular electric standard toilets with combined pump unit for flushing and wasting . All metal parts and screws are in stainless steel. The base is in impact resistant material It can be installed either above or below the sea level. A special macerator pump allows the expulsion up to 3.50 m in height. Self priming up to 1,5 mt. vertically. Equipped with seat lid and control panel. Port connections: inlet. 19mm. 3/4" and outlet 25/38mm. 1" & 1" 1/2. Space saving thanks to the possibility of rotating 90 degrees the pump and provide accessibility for servicing

PART. N.	BOWL TYPE	VOLT	AMP	SEAT TYPE	SOFT CLOSE	CONVERSION KIT	DIMENSION IN MM. (width,depth,height) Open=height with seat open	KG
6500000712	COMPACT	12	17	6500000001	NO	5500000712	335X420X390(675)OPEN	12
6500000724	COMPACT	24	8	6500000001	NO	5500000724	335X420X390(675)OPEN	12
6700000712	COMPACT	12	17	6500000002	YES	5500000712	335X420X390(675)OPEN	11
6700000724	COMPACT	24	8	6500000002	YES	5500000724	335X420X390(675)OPEN	11
6700000812	COMFORT	12	17	6500000004	YES	5500000712	365X460X385(730)OPEN	12
6700000824	COMFORT	24	8	6500000004	YES	5500000724	365X460X385(730)OPEN	12
6500200912	LAGUNA	12	24	6500000002	YES	5500019112	340X405X410(720)OPEN	18
6500200924	LAGUNA	24	12	6500000002	YES	5500019124	340X405X410(720)OPEN	18
6500002412	LUXURY LOW	12	30	6500000007	YES	5500003812	365X455X385(790)OPEN	20
6500002424	LUXURY LOW	24	15	6500000007	YES	5500003824	365X455X385(790)OPEN	20
6500002512	LUXURY LOW BEVELLED	12	26	6500000003	NO	5500002812	365X455X385(790)OPEN	21
6500002524	LUXURY LOW BEVELLED	24	13	6500000003	NO	5500002824	365X455X385(790)OPEN	21
6500002612	LUXURY STD	12	30	6500000007	YES	5500003812	365X455X455(860)OPEN	22
6500002624	LUXURY STD	24	16	6500000007	YES	5500003824	365X455X455(860)OPEN	22



All standard toilets are supplied with a one push button flushing for easiness of operation

Electric standard compact



Electric standard comfort



Laguna electric standard



Luxury low



Luxury standard.



Luxury low bevelled



## ELECTRIC EVOLUTION CONVERSION KIT:



Converts compact and comfort bowl of most toilets with 4 bolt fixing bowls and bolt centres on a 95 mm (3 3/4") diameter circle such as Matromarine, Jabsco, TMC, Raritan, RM69, Johnson Pump, Theiford, Lalizas. Included kit contains all necessary parts, such as stainless steel bolts and washers, hose and gaskets. and control panel in the electric std v. Space saving thanks to the possibility of rotating 90 degrees the pump and provide accessibility for servicing

CD:5600000112 12V  
CD:5600000124 24V.



### Conversion kits

Converts compact and comfort bowl of most toilets with 4 bolt fixing bowls and bolt centres on a 95 mm (3 3/4") diameter circle such as Matromarine, Jabsco, TMC, Raritan, RM69, Johnson Pump, Theiford, Lalizas. Included kit contains all necessary parts, such as stainless steel bolts and washers, hose and gaskets. and control panel in the electric std v.

#### Manual

CD:6100000700



#### Electric standard

CD:5500000712 12V.  
CD:5500000724 24V.



#### Electric silent for flange bowl

CD:5600000712 12V  
CD:5600000724 24V.



#### Electric silent new.

CD:550019712-24 12/24V  
for Laguna Bowls.  
CD:550019812-24 12/24V.  
for Luxury/Deluxe bowls



Suit also all deluxe, luxury bowl manufactured before 2012. and toilets with 4 bolt fixing bowls and bolt centres on a 95 mm

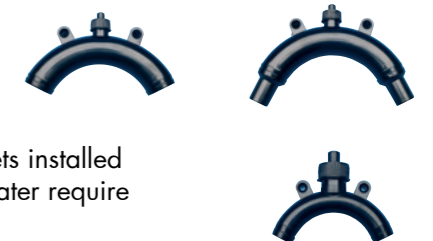
### SPARE SEATS:

Compact and comfort version are interchangeable with JABSCO,SPX,TMC,RM69,TMC toilets.  
CD:6500000001 wooden seat for space saver, compact and laguna bowls  
CD:6500000002 soft close seat for space saver, compact and laguna bowls  
CD:6500000004 soft close seat for comfort bowls  
CD:6500000007 duroplast soft close seat for luxury bowls  
CD:6500000008 Thermosetting top quality material seat with ss hinges for deluxe bowls



### VENTED LOOPS:

CD:6000100015 Port Connection 38  
CD:6000100013 Port Connection 25  
CD:6000100010 Port Connection 19



Indispensable component for inlet and discharge pipes of manual and electric toilets installed below the waterline. Manual and electric marine toilets flushed with sea or river water require connections through the hull below water level

### Y-VALVES:

A universal valve to discharge either overboard or into waste tanks designed for long distance control by means of a push-pull cable. It can be used in three ways: 1) the water from the toilet is flushed into the sea or into the waste tank; 2) the water is discharged from the waste tank into the sea by means of a macerator or on the quay by means of a suction pump; 3) the macerator discharges into the sea or on the quay by means of a suction pump. Can be padlocked.

CD:6000100025



CD:6000200025

Equipped with extra 25 mm straight inlet port and handle extension. Can be operated through bulkhead. 2x Orientable 360 degrees outlet port connections 38 mm





### ELECTROVALVE:

For centralized system with fresh water  
 CD:6500102012  
 CD:6500102024  
 Port Connection 1/2 mm hose  
 Can be ordered together with all series of electrical silent toilets.



### FLUSH PUMP

Newest generation of silent pumps equipped with 4 diaphragms  
 Indispensable equipment to supply water on all series of electrical silent toilets. Delivery: 12 litres  
 CD. 2500001212 12 V.  
 CD. 2500001224 24 V



### CONTROL PANELS FOR TOILETS

CD:6000000715 for electric std.(manual operation)  
 CD:6500002003 for electric silent (automatic operation) with IC control system and level indicator. extra slim and compatible with frames LEGRAND Vela/Cross  
 CD:6500002002 electric silent "Carling" rocker switch (manual operation)  
 CD:4500000118 probes for level indicator



CD:6500001702 electric standard with level indicator

Built in IC Control systems with 2 automatic flush buttons:  
 1) Full flush 5 seconds delivery approx. 5 litres of water  
 2)Eco flush 2,5 seconds delivery approx. 2,5 litres of water.  
 extra slim and compatible with frames LEGRAND Vela/Cross

### BIDET:

The new line of fitted design bowls in vitreous china makes this bidet very comfortable and at the same time smart and nice to be seen, just like a home bidet.  
 Matromarine also manufactures three models of separate bidets designed to match Matromarine deluxe and luxury toilets and to be a complement to any marine bathroom. Same dimension of the luxury toilets.  
 Delivered without tap. Fresh water is supplied through a swivel-nozzle fitted into a space in the appliance.



CD:6500000021 Bidet low bevelled

CD:6500000022 Bidet std.

CD:6500000023 Bidet std bevelled

### BIDET FOR MARINE TOILETS:

CD:6500000016 1 tap  
 CD:6500000017 2 taps  
 for space saver, compact,comfort,laguna and all luxury bowls equipped with wooden seat. Soft close system do not match with any bidet system.  
 CD:6500000015 mixer tap ONLY for deluxe bowls



### BASIN:

Matromarine offers a collection of luxury and elegant washbasins, designed to follow the latest trends of design. Very compact size.

CD:6500000556  
 Weight kg 3 drain 1 1/4" and 1 1/2"  
 Dimensions: 39x32,5x14h. cm



### Waste Water Treatment:

New updated version of the waste water kit with the macerator pump or diaphragm pump mounted and already connected to the tank. The system includes tank, macerator, (y-valve is be ordered separately in all version), gas tank vent, activated carbon filter and control panel with probe to check the level in the tank. Matromarine holding tank systems are molded from linear low density polyethylene (LLDP) resin. Polyethylene is best-suited for holding tank constructions because of its resistance to corrosion and odor permeation, and it will last much longer than the life of a typical fiberglass hull. ISO/USCG compliance: MATROMARINE models are fully compliant with ISO 8099:2000(E) Standards. Odour-free design: MATROMARINE tanks have extra-heavy wall thickness to prevent odour permeation. Tanks can be fitted with an activated carbon filter that stops unpleasant odours from escaping through the holding tank vent. Multiple tank outlets: most Matromarine models are equipped with two discharge outlets: one is for connection to a deckmounted discharge fitting and the other is for connection to an overboard discharge pump. Leak-proof design: Matromarine one-hose connection is located on top of the tank, thus eliminating all possibility of leakage due to a faulty connection below the liquid level of the tank contents. Our unique diptube design reduces the risk of clogging while keeping the residual contents in the tank to a minimum. New fast connection in strong PVC makes this kit the most easy-mounting and complete system for the treatment of waste waters present on the market. Available also in 24V. version upon request.

Equipped with Macerator already connected with the tank,carbon filter ,probe,level indicator,gas tank vent,and 2 fittings

Equipped with Diaphragm pump already connected with the tank carbon filter probe,level indicator,gas tank vent and 2 fittings



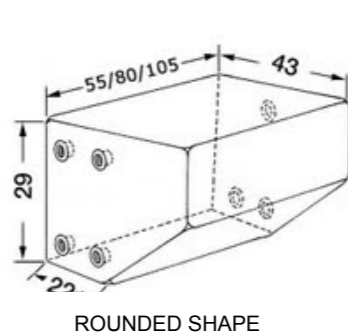
- CD. 9400000547 Kit for waste (rectangular) 47 lt.
- CD. 9400000578 Kit for waste (rectangular) 72 lt.
- CD. 9300000550 Kit for waste (rounded shape) 40 lt.
- CD. 9300000575 Kit for waste (rounded shape) 75 lt.
- CD. 94000005112 Kit for waste (rectangular) 112 lt
- CD. 9300000598 Kit for waste (rounded shape) 98 lt.

- CD. 9600000547 Kit for waste (rectangular shape) 47 lt.
- CD. 9600000578 Kit for waste (rectangular shape) 72 lt.

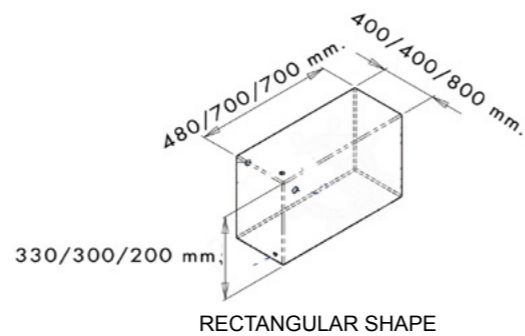


**Y-valves needs to be ordered apart for all waste kits**  
 All part. numbers are equipped with 12v. electrical parts. Upon request all models are available also at 24v.





ROUNDED SHAPE



RECTANGULAR SHAPE

**POLYTHENE WASTE TANKS.**

Complete with 4 dead female unions 3/4" dim. 19/20 mm. and 4 dead female unions 1 1/2" dim 38/40 mm.for rubber gasket.Complies with iso 8099.

- CD. 9100000547 50 lt. 480 x 400 x 330 mm - rectangular
- CD. 9100000578 72 lt. 700 x 400 x 300 mm - rectangular
- CD. 9100005112 112 lt. 700 x 800 x 200 mm - rectangular
- CD. 9000000550 40 lt. 430 x 550 x 290 mm - rounded shape
- CD. 9000000575 75 lt. 430 x 800 x 290 mm - rounded shape
- CD. 9000000598 98 lt. 430 x 1050 x 290 mm - rounded shape



**WASTE TANK FOR MANUAL TOILETS**

SUITABLE FOR ALL MARINE TOILETS WITH COMPACT BOWLS such as Matromarine, TMC, Groco, jabsco, RAM69, Wilcox Crittenden, Mansfield, Johnson Pump, Thefford



CD. 9000000526 26lt. 500 x 400 x 230 mm.

**ACTIVE CARBON FILTER**

Complete filter with 3/8" 3/4" ,1" nipples, Manufactured in light alloy and nylon this filter must be installed in the highest possible location along the breather of the tank. Carbon lifetime approx. 1 year.

CD. 9000000600 16/19/25 mm



**LEVEL INDICATOR:**

Probes holder with 5 bushes in which there are 3 stainless steel probes for waste water mixture tank units.Plastic bushes 20 mm long, to avoid risk of short circuit due to the humidity inside the tank. A panel with a scale of 3 leds is advising on the almost full tank. Both holders and panels have VDO connections.

- CD. 4500000140 LEVEL INDICATOR AND PROBES
- CD. 4500000118 PROBE (we can supply bushes up to 30 cm high under request)



**GREY & BLACK DIAPHRAGM WATER PUMPS:**



- Compact and simple design
- Flexible installation
- No filter required
- Can run dry.
- Can pump air/water mixture
- Low power consumption
- Quiet operation
- Meets ISO 8846 EN55014 Standards
- 360 rotational pump body
- Double non-return valve.

A modern diaphragm pump that can be set up in several applications and with different pump motor configurations.It is easy to install as a bilge pump in any leisure craft or anywhere after the drain outlet in the waste water system or directly in the Matromarine waste water tank . No filters required, the pump can run dry, and can also handle a mixture of air and water without difficulty. Perfect for installation in tight spaces, the Laguna shower drain pump can be incorporated into a small boat bilge space. Available in version with double 19/25 mm port connection and 38 mm port connection. 38 mm version is equipped with straight and 360 degrees angled rotational port connection.

PART. N.	VOLT	AMP	FLOW LPM/MIN	FLOW LPM 1,5 MT	HOSE CONNECTION MM.	DIMENSIONS MM.
8700101112	12	4,5	22	18	19-25 (GREY)	305x195x125mm
8700101124	24	2,5	22	18	19-25 (GREY)	305x195x125mm
8700001112	12	6	32	26	38 (WASTE)	355x195x125mm
8700001124	24	3	32	26	38 (WASTE)	355x195x125mm

**MACERATOR PUMP**

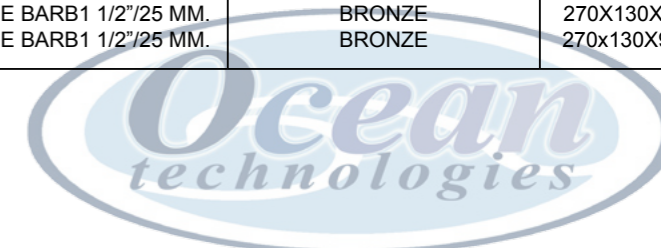
Macerator with stainless steel or brass internal pump body or brass and rubber impeller discharge pump  
 - self priming up to 3 mt. vertical lift.  
 - 43 LPM output at 4 mt. total head  
 - macerates and discharges water and waste mixtures.

**MAXI MACERATOR PUMP**

Toilet waste macerator pump, 47 min. rated, can discharge tanks up to 2100 litres.  
 Bronze pump body self priming up to 5 mt. vertical lift.



PART. N.	VOLT	AMP	FLOW	FLOW 3MT	CONNECTION IN/OUT	PUMP BODY	DIMENSIONS
5500001112	12	12	43 LPM	23 LPM	38 HOSE BARB1 1/2"/25 MM.	THERMO-POLYMER/S.S.	240X130X90mm
5500001124	24	7	43 LPM	23 LPM	38 HOSE BARB1 1/2"/25 MM.	THERMO-POLYMER/S.S.	240x130x90mm
5500000912	12	12	43 LPM	23 LPM	38 HOSE BARB1 1/2"/25 MM.	BRONZE	240X130X90mm
5500000824	24	7	43 LPM	23 LPM	38 HOSE BARB1 1/2"/25 MM.	BRONZE	240x130X90mm
5500001012	12	14	47 LPM	33 LPM	38 HOSE BARB1 1/2"/25 MM.	BRONZE	270X130X90mm
5500001024	24	8	47 LPM	33 LPM	38 HOSE BARB1 1/2"/25 MM.	BRONZE	270x130X90mm







## Marine Pumps for Deckwash, Bilge & Refuelling



**DECK PUMPS:** Ideal for deck washing, bilge pumping and pressurized systems Self priming up to 3/5 mt. vertical lift. All versions available upon request with super nitrile impeller.

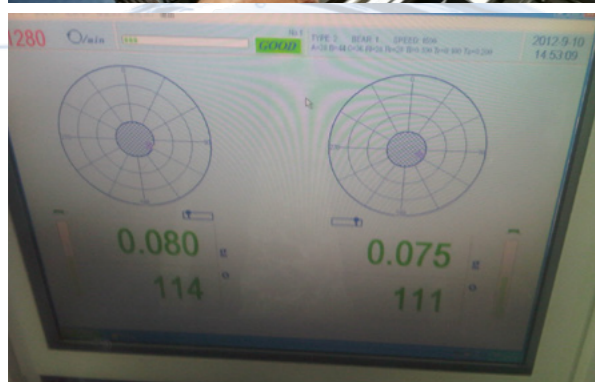
PART. N.	MOD.	VOLT	AMP	FLOW/ LPM	FLOW 2 MT HEAD / LPM	HOSE CONNECTION	DIMENSION MM.	PUMP BODY
8500001112	ECO DECK PUMP	12	8	30	23	19 mm.	160x120x90	THERMO-POLYMER
8500001124	ECO DECK PUMP	24	4	30	23	19 mm	160x120x90	THERMO-POLYMER
8500000112	BRASS DECK PUMP	12	8	35	28	1/2" 19 mm	160x120x90	BRASS
8500000124	BRASS DECK PUMP	24	4	35	28	1/2" 19 mm	160x120x90	BRASS
8500000212	MAXI DECK PUMP	12	12,5	45	39	1/2" 19 mm	180x120x90	BRASS
8500000224	MAXI DECK PUMP	24	6	45	39	1/2" 19 mm	180x120x90	BRASS

## Marine Pumps and Accessories

Our company has been undertaking the creation of specific products for different fields of application for almost 40 years. Our line of marine pumps is definitely one of those areas where Ocean Technologies brand has distinguished itself for studying products with particular features dedicated to the environment. Our engineering department collaborates directly with quiet all European and many non-European boat manufacturers in order to provide unsurpassed technical support as well as to ensure that Matromarine can always react quickly to the clients needs. During all these years Matromarine has pioneered a stream of innovation from the early brass pumps to the market leading deck pump, manual bilge pumps and macerator waste pumps.

Over the last ten years, we have developed many new products such as new patented self priming gear pumps with only 1 gear in ptfе as well as new automatic bilge pumps with integrated float switch tested till 200.000 on/off range. All these new products have all been recognized by the marine industry innovation awards. Over the last 10 years, 36 new products have been introduced in our range, driven by a true culture of business innovation. Today Ocean Technologies remains at the leading edge of engineering technology with a strong team using state of the art CAD, software development, data-logging and rapid prototyping equipment. We now manufacture completely a range of about 50 different marine pumps suitable to all applications.

Capacities vary from 4LPM TO 140 LPM, allowing the proper matching of the pump to the desired use. All are fitted with heavy-duty motors to provide long service life under heavy use. Our series of marine pumps are employed for bilge pumping systems, wash down applications, deck wash, refuelling and waste water handling. Certified ISO 8846 - EN 55014



**TRANSFER PUMPS & BALLAST PUMPS:** There is an Ocean Technologies pump to suit every boat and budget. Matromarine pump are considered one of the world's best selling designs for ease of service in restricted areas. Features a bronze housing and self-priming design along with small dimensions for transferring of liquids of various nature. Pump body in brass and stainless steel shaft. Super nitrile impeller and PTFE mechanical seal. Ports wit brass connections for Ø19 mm internal hose. Ideal for bilge pumping, deckwash, water circulation, oil and diesel refuelling at dockside service etc. Not to be used for pumping paraffin or other thin petroleum products. Upon request 90 degrees brass connections. Ballast pump is equipped with Carling switch to change flow direction and with a special impeller in silicon.



- **Self-priming up to 3 m vertical lift**
- **Light duty, 50 minute rated Diesel fuel transfer pump**
- **Unaffected by extreme temperature.**
- **Suitable for use from -30 C to +40 C**
- **Output: - 33 litres/minute (7.7 gallons/minute) at 3m head.**
- **Maximum recommended total head 5m**
- **Reversible to both fill and empty tanks**
- **Simple design means fewer wearing parts.**
- **ISO 8846 MARINE (Ignition protection).**

PART. N.	FLOW 0 / 2 MT HEAD	FLOW 3 MT. SUCTION LIFT	AMP	VOLT	CONNECTIONS	IMPELLER TYPE	DIMENSIONS
8500000612	43/37 LPM	31 LPM	11	12	1/2" 19 mm	SPECIAL NITRILE.	180x120x90mm
8500000624	43/37 LPM	31 LPM	6	24	1/2" 19 mm	SPECIAL NITRILE.	180x120x90mm





**DIAPHRAGM PUMP:**



- **New Compact and simple design**
- **Flexible installation**
- **No filter required**
- **Can run dry.**
- **Can pump air/water mixture**
- **Low power consumption**
- **Quiet operation**
- **Mets ISO 8846 EN55014 Standards**
- **360 rotational pump body**
- **Non-return valve.**

The new modern diaphragm pump that can be set up in several applications and with different pump motor configurations. It is easy to install as a bilge pump in any leisure craft or anywhere after the drain outlet in the waste water system or directly in the Matromarine waste water tank. No filters required, the pump can run dry, and also can handle a mixture of air and water without difficulty. Perfect for installation in tight spaces, the SUPERCOMPACT diaphragm pump can be incorporated into a small boat bilge space. Available in version with double 19 mm port connection and 25 mm port connection. Equipped with straight port connections.

PART. N.	VOLT	AMP	FLOW/MIN	FLOW 1,5 MT/MIN	HOSE CONNECTION	DIMENSIONS
8700101512	12	4,5	22	15	19-25 (GREY)	190x245x125
8700101524	24	2,5	22	15	19-25 (GREY)	190x245x125

**SINGLE VERTICAL DIAPHRAGM PUMP.**

Well proven design that has been on the market for more than 30 years. This pump for bilge and other purposes has been a faithful mate for many boat owners. Self-priming up to 2 meters. Base and motor support are nylon made, and the movement is carried out on ball bearings. The pump can run dry for longer periods without suffering any damages. Delivered together with filter (pump guard). Capacity 18 l/min. Weight 2,5 Kg. Dimensions: 155x100x150



- **Compact and simple design**
- **Filter 19 MM included**
- **Can run dry.**
- **Low power consumption**
- **Quiet operation**
- **Mets ISO 8846 EN55014 Standards**

CD:8500101812 12V. 8 AMP.-  
 CD:8500101824 24V. 4 AMP.-  
 CD:8500001000 Pump guard, Filter.  
 Port connections: Inlet, Outlet: 19 mm

**GEAR AND OIL CHANGER PUMP:**

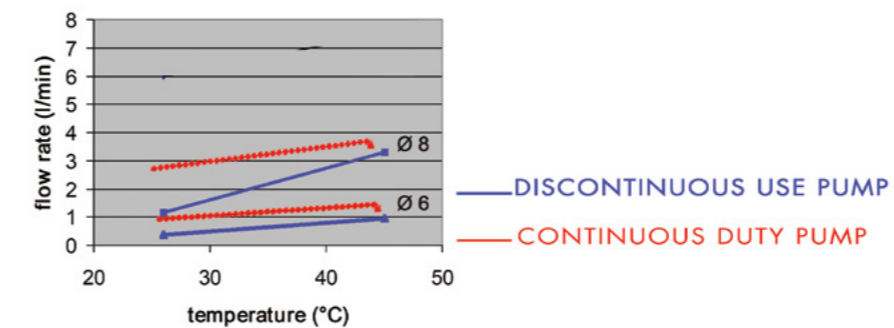
Self priming electric gear pump particularly suitable for transfer oil, diesel, antifreeze, water and viscous liquids. Available also in oil changer kit version equipped with 180 cm long wires with end clamp, fuse, and 2 hoses 6 and 8 mm. Can run dry. Pump body in PTFE.



- **Compact and simple design**
- **Pump body and gear in PTFE**
- **Reversible flow direction**

- **No filter required**
- **Patented**
- **Meets ISO 8846 EN55014 Standards**

PART. N.	MOD.	VOLT	AMP	FLOW/ LPM	CONTINUOUS DUTY	MM. HOSE CONNECTION	DIMENSION	HOSE KIT
8500000312	GEAR PUMP	12	5	8	NO	3/8" 13 IN/OUT	140X80 mm	NO
8500000324	GEAR PUMP	24	2,5	8	NO	3/8" 13 IN/OUT	140X80 mm	NO
8500010312	OIL CHANGER PUMP	12	5	*	NO	3/8" 13 IN/OUT	140X80 mm	YES
8500010324	OIL CHANGER PUMP	24	2,5	*	NO	3/8" 13 IN/OUT	140X80 mm	YES
8500000512	GEAR PUMP	12	6	12	YES	3/8" 13 IN/OUT	140X90 mm	NO
8500000524	GEAR PUMP	24	3	12	YES	3/8" 13 IN/OUT	140X90 mm	NO
8500010512	OIL CHANGER PUMP	12	6	*	YES	3/8" 13 IN/OUT	140X90 mm	YES
8500010524	OIL CHANGER PUMP	24	3	*	YES	3/8" 13 IN/OUT	140X90 mm	YES



**CIRCULATION PUMP:** A modern circulation pump with a motor designed for continuous operation. Suitable for fresh water and glycol circulation. Port connections 38 mm Inlet, 32 mm. Outlet DIMENSIONS: 160 X 130 X 90 MM.

CD.5000000152 12 V 5 A. 115 LPM  
 CD.5000000154 24 V. 2,5 A. 115 LPM



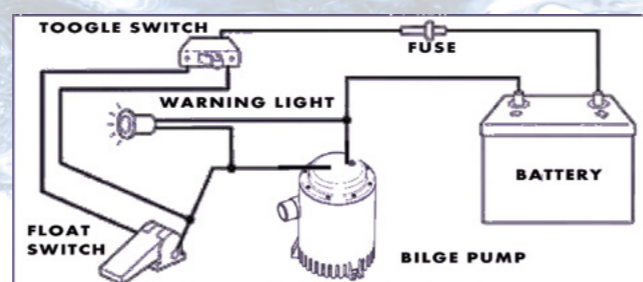
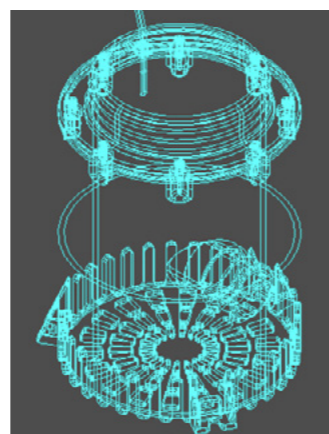




## Submersible bilge pumps and float switches

Bilge pumping systems including automatic and non-automatic bilge pumps, switches and control. A complete selection of pumps is available for fishing boats, pleasure boats, cruisers, yachts, and commercial boats. Ocean Technologies Submersible Bilge Pumps have the highest standard for the industry and for over 35 years have been tested and approved as standard equipments by leading boat manufacturers.

- Affordable prices
- Whole process production done by us
- 100% tested in our manufacturing facilities
- Compact, efficient, long life motors.
- Ability to run dry for short periods.
- Easy clean snap-lock strainer bases.
- Stainless steel shafts AISI 316
- Completely submersible.
- Marine grade blocked wiring.
- Rust and corrosion protection.
- Silent and vibrationless operation.
- CE and ISO 8844 certification.
- Ignition protection.



**HEAVY DUTY BILGE PUMPS:** New heavy duty series of marine submersible bilge pumps. These pumps are durable and easy to install, and they offer boaters a sleek new design that has been tested to be reliable and efficient, both in harsh saltwater and freshwater uses. Equipped with stainless steel shaft, double ball bearing motor and mechanical seal, high-impact durable plastic housing.



- **Liquid cooled for extended motor life.**
- **Removable check valve included**
- **Heavy duty, aisi 316 steel shaft, double ball bearing motor**
- **Quality engineered mechanical seal on 2200 gph version.**
- **Automatic operation with optional float switch**
- **Complies with ISO 8848, EN 55014 Marine**
- **Easily interchangeable with most similar Bilge pumps**  
(New upgraded base screen)

PART. N.	MOD.	VOLT	AMP	FLOW/ MIN	FLOW 1 MT/MIN	HOSE SIZE	DIMENSION	SEAL	NON RETURN VALVE
5500000142	1750 GPH	12	6	110	85	1"1/4 1" 1/2	170x158x130d. mm	MECHANICAL	YES
5500000144	1750 GPH	24	3	110	85	1"1/4 1" 1/2	170x158x130d. mm	MECHANICAL	YES
5500000162	2250 GPH	12	8	140	120	1"1/4 1" 1/2	170x158x130d. mm	MECHANICAL	YES
5500000164	2250 GPH	24	4,5	140	120	1"1/4 1" 1/2	170x158x130d. mm	MECHANICAL	YES

### AUTOMATIC BILGE PUMPS:

Laguna bilge pumps are equipped with a built-in electrically controlled snap switch making it fully automatic. No float switch needed and no power used until pump turns on when water level rises. These pumps are durable and easy to install, and they offer boaters a sleek new design that has been tested to be reliable, efficient, and automatic operative in harsh saltwater and freshwater uses. Equipped with stainless steel shaft 316, and high-impact durable plastic housing.



- \*Compact, all-in-one unit
- \*Snap sensing switch integrated into the pump body
- \*No mercury
- \*Removable clip on basket design
- \*3-wire device can be run in auto or manual override mode.
- \*No tools needed for maintenance
- \*Extremely energy efficient

PART. N.	MOD.	VOLT	AMP	FLOW/ MIN	FLOW 1 MT/MIN	HOSE CONNECTION	DIMENSION
5700205115	500 GPH	12	1,8	32	25	19 mm	151x78x95 mm
5700205133	750 GPH	12	2,7	50	42	19 mm	151x78x95 mm
5700205134	750 GPH	24	1,5	50	42	19 mm	151x78x95 mm
5700205021	1100 GPH	12	4	75	65	29 mm	151x78x95 mm
5700205022	1100 GPH	24	2,5	75	65	29 mm	151x78x95 mm

### THREE WAY BILGE SWITCH CONTROL

Give full control to all your equipment. Fuses included. Very simple employment just push the button for manual or automatic bilge pumping. Equipped with Carling rocker switch with operating red led light.

CD: 4500000121





**SUBMERSIBLE BILGE PUMPS:**

These Submersible bilge pumps are durable and easy to install, and they offer boaters a sleek design that has been tested to be reliable and efficient, in harsh saltwater and freshwater uses. Equipped with stainless steel shaft 316, and high-impact durable plastic housing. Easy to install and to clean.



PART. N.	MOD.	VOLT	AMP	FLOW/MIN	FLOW 1 MT/MIN	HOSE CONNECTION	DIMENSION
5700000115	300 GPH	12	1,8	27	22	19	75x93 mm
5700000133	750 GPH	12	3	50	40	19	75x105 mm
5700000134	750 GPH	24	2	50	40	19	75x105 mm
5700000021	1100 GPH	12	4	75	65	29	120x145 mm
5700000022	1100 GPH	24	2,5	75	65	29	120x145 mm

**DIGITAL SENSOR SWITCH:**

New digital technology. 5 years tested new sensor built in technology, designed and developed from our R&D team, The totally sealed detecting sensors are never in contact with water, thus assuring a high corrosion strength, without being affected by oil or foreign discards. LAGUNA SWITCH activates at a 50 mm (2") fluid level and deactivates at a 20 mm (3/4") fluid range. A five seconds delay prevents false starts. LAGUNA switch is rated to handle all submersible pumps up to 20 amps at 12 or 24 volts.

CD. 8500000107 12-24 V.



- Switch is rated to handle all submersible pumps pumps up to 20 amps at 12 or 24 volts.
- No moving parts
- Totally sealed solid state electronics
- No mercury
- Certificated according with ISO 8846 marine en 55014



**AUTOMATIC SWITCHES:**



New mercury-free switch with "SNAP" movement with over 500.000 on/off. tested. 2 years of warranty. ISO 8846

CD:8500000108 14 Amp. dim. 11x 7x 5h. cm  
 CD:8500000109 14 Amp. with integral protection



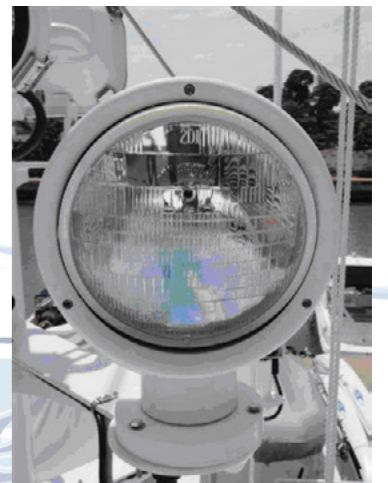
**Ocean Marine Searchlight**

Our range of marine lights are designed to withstand the rigors of sea-life. We engineer each product to match exact performance specification listings for an extra margin of safety. Our spotlights are designed to offer the best combination of beam spread(width) and intensity (length).Remote control and 4 mt extension lead are included, Spare extension lead and double station control panel available. All manufactured in special ABS ( UVA protected) sun ray-proof materials

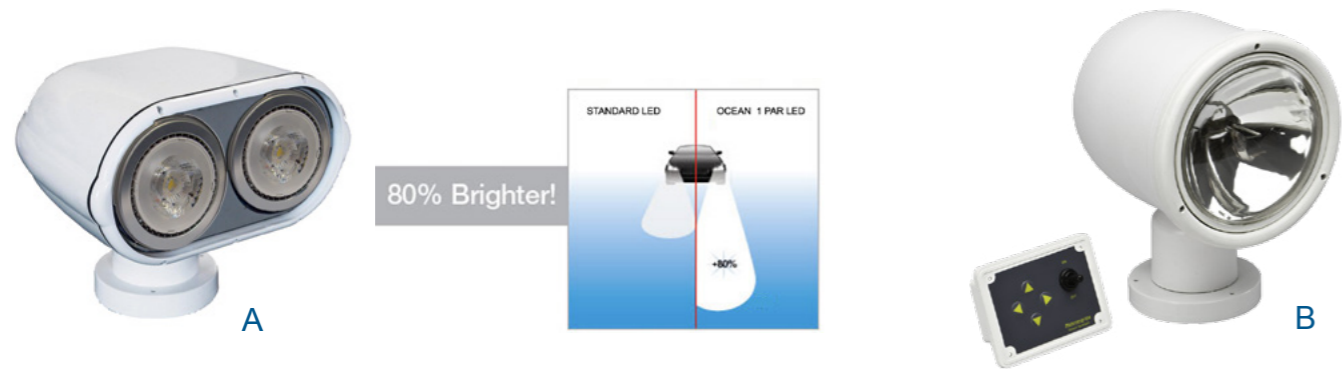
**Xenon Spotlight:** A new powerful searchlight with improved style and performances, ideal for medium and big-sized yachts. Complete of water-proof remote control. Upon request the spotlight can be supplied with extension lead (4 mt. long). Body and base are in sun-ray white ASA material. Excellent corrosion-resistance, particularly suitable also in case of adverse weather conditions.

Brighter, wider beam pattern for maximum viewing safety Equipped with bright light and high powered 55 watt xenon lamp. Creates a 30 degree wider beam pattern and delivers still 8 times more than the halogen equivalent 55 watt lamp. More efficient design to perform better and run cooler than standard halogen lamps. Meets or exceeds original equipment quality standards.2000 hours lifetime.

**LED Spotlight:** A new powerful searchlight with improved style and performances, ideal for all-sized yachts. Complete of water-proof remote control. Body and base are in sun-ray white ASA material. Excellent corrosion-resistance also in case of adverse weather conditions. Brighter, wider beam pattern for maximum viewing safety Equipped with 2 bright lights and high powered 17 watt LED at 20 degrees angle beam and maximum beam distance at 400 meters. New Brite LED technologies equivalent to 50/60 watt LED spotlight.30.000 hours Lifetime.







PART. N.	MOD.	VOLT	AMP	CANDLE-POWER	RANGE AT 1 LUX	SPARE BULB	REMOTE CONTROL	DOUBLE STATION	PIC.
7100100012	electric 34W.LED	12	4	250000	400 meters	7100101312	7200000112	7200100112	A
7100100024	electric 34W.LED	24	2	250000	400 meters	7100101324	7200000124	7200100124	A
7200100012	xenon 55 W.	12	6	600000	800 meters	7200101012	7200000112	7200100112	B
7200100024	xenon 55 W.	24	3,5	600000	800 meters	7200101024	7200000124	7200100124	B

**Double spotlight:** Two sealed beams 5" with filament light allowing to enjoy always of a very luminous ray on each light, both if the light shaft is directed upwards and also when it is oriented down. Easy mounting thanks to the fitted fast connections.

**Single spotlight:** Same as the previous version but with a single h4 lamp 6" 146 mm .

**Single spotlight mod. 2005 :** Same as the previous version but with a single h4 lamp 7" 156 mm 100 watt

**Manual version** with handle rotation 340 degrees, Same characteristics of the electrical single version.

**Flood Light:** Manufactured in stainless steel. Sealed beam bulb No remote control, No extension lead.

All electric spotlights can be supplied with an extra extension lead (4 mt. long) upon request



PART. N.	MOD.	VOLT	AMP	CANDLE-POWER	RANGE AT 1 LUX	SPARE BULB	REMOTE CONTROL	DOUBLE STATION	PIC.
7000000001	manual 55 W,	12	5	100000	262 meters	7000001012	NO	NO	A
7000000002	manual 55 W,	24	3	100000	262 meters	7000001024	NO	NO	A
7000000012	electric 55 W.	12	6	100000	262 meters	7000001012	7000000112	7100000112	A
7000000024	electric 55 W.	24	4	100000	262 meters	7000001024	7000000124	7100000124	A
7100000012	electric 2X55W.	12	9	200000	262 meters	7100001312	7000000112	7100000112	B
7100000024	electric 2X55W.	24	6,5	200000	262 meters	7100001324	7000000124	7100000124	B
7200000012	electric 100 W.	12	8	600000	300 meters	7200001012	7000000112	7100000112	C
7200000024	electric 100 W.	24	4	600000	300 meters	7200001024	7000000124	7100000124	C
7000000003	floodlight 55 W	12	3	100000	262 meters	NO	NO	NO	D
7000000004	floodlight 55 W.	24	1,5	100000	262 meters	NO	NO	NO	D

### BATTERY SWITCH

Our heavy-duty battery switch allows you to switch from battery No 1 to No 2 or both while engine is in operation without damaging alternator diodes or regulators.

Capacity: 6V. – 12V. – 32V.–

Continuous 250 Amp. Interval 300 A. Only non corrosive materials employed.

CD. 7500000650

DIMENSIONS: diameter 145 x 67 mm



### FOOT SWITCH

Waterproof and suitable to any type of solenoid, universal 12 or 24 Volt. Available in 2 different colours: black or white

CD. 4500000002 Down

CD. 4500000003 Up

CD. 4500000022 Down WHITE

CD. 4500000033 Up WHITE



DIMENSIONS : diameter 73 x 13 mm

### POWER TRIM

It handles of a new concept of trim tab system, consisting of a revolutionary electro-mechanical movement.

It is powerful, precise, trouble-free, and, contrarily to the hydraulic mode, it doesn't need a maintenance service or an expensive installation.

Shaft made of stainless steel and nylon glass fiber. Body without any hydraulic tube. Equipped with stainless steel hinge swivel. Possibility of turning at 180° without problems. the stern mounting plates and the flaps are interchangeable with Bennett cylinders.

### TRIM TABS

Designed to improve the boat performance, these trim tabs reduce fuel consumption and improve stability in trimming the boats. Manufactured in 304 stainless steel, they are easy to fit and to adjust, and can be mounted on different sizes of boats, according to the engine power.

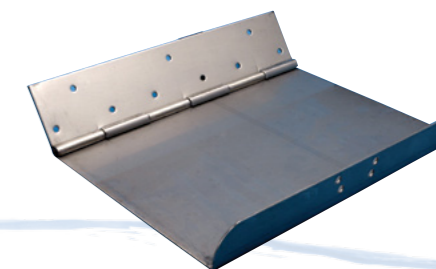
Made of stainless steel, model fitted with 2.5 mm thickness and special swivelling hinge; the flap can rotate 180° without forcing or breaking the transom bracket. Can be mounted with our electro-mechanical cylinders or using the Bennett hydraulic models.

CD 3000000812 CYLINDER 12 V.

CD 3000000924 CYLINDER PAIR 24 V.

CD 3000000912 CYLINDER PAIR 12 V.

CD 3000000911 CONTROL TRIM



CD 3100000912 ELECTRIM 9 x 12"

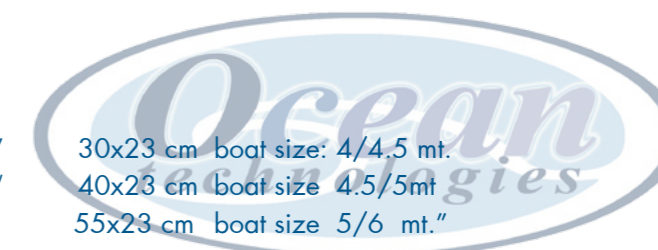
CD 3000000916 ELECTRIM 9 x 16"

CD 3000000922 ELECTRIM 9 x 22"

30x23 cm boat size: 4/4,5 mt.

40x23 cm boat size: 4.5/5mt

55x23 cm boat size: 5/6 mt."





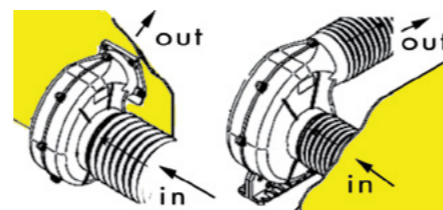


## Ocean Marine Blowers

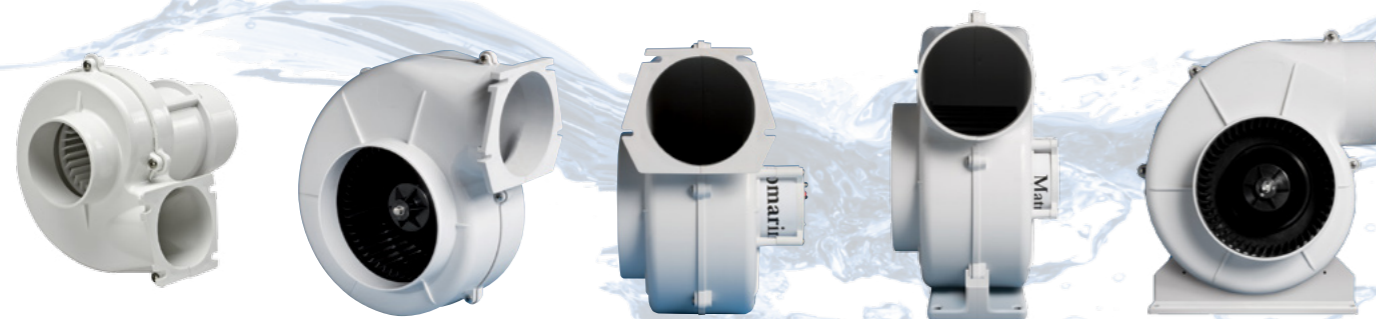
**CENTRIFUGAL BLOWERS:** We manufacture a wide selection of marine blowers for marine engine compartments in strong nylon PA6 material homologated by R.I.N.A. and with different capacities from 280 m3 to 1000 m3 per hour, Screws and shaft in stainless steel. Flex mount and very strong dynamic flange mount. Low current draw. Continuous duty. Best ratio on the market between volume air flow and compact size. All models are ignition protected ISO 8846. Complying with ISO 8849, EN 55014, ISO 10133.

Flange Mount

Flex Mount



PART. N.	MODEL	VOLT	AMP	CAPACITY MCH/CFM	PORT CONNECTIONS	DIMENSIONS LARGE X LENGTH X HEIGHT
5500001212	FLANGE 3"	12	3,8	280 / 163	Inlet: 75 mm - Outlet: 72 mm	200 x 165 x 195 mm
5500001224	FLANGE 3"	24	2	280 / 163	Inlet: 75 mm - Outlet: 72 mm	200 x 165 x 195 mm
5500101212	FLANGE 4"	12	12	550 / 344	Inlet: 100 mm - Outlet: 103 mm	290 x 257 x 150 mm
5500101224	FLANGE 4"	24	6	550 / 344	Inlet: 100 mm - Outlet: 103 mm	290 x 257 x 150 mm
5500101412	FLANGE 6"	12	10	750 / 441	Inlet: 150 mm - Outlet: 103 mm	290 x 257 x 170 mm
5500101424	FLANGE 6"	24	5	750 / 441	Inlet: 150 mm - Outlet: 103 mm	290 x 257 x 170 mm
5500101624	FLANGE 6"	24	9	1000 / 589	Inlet: 150 mm - Outlet: 103 mm	290 x 257 x 180 mm
5500102212	FLEX 4"	12	12	550 / 344	Inlet: 100 mm - Outlet: 103 mm	290 x 257 x 150 mm
5500102224	FLEX 4"	24	6	550 / 344	Inlet: 100 mm - Outlet: 103 mm	290 x 257 x 150 mm
5500102412	FLEX 6"	12	10	750 / 441	Inlet: 150 mm - Outlet: 103 mm	290 x 257 x 170 mm
5500102424	FLEX 6"	24	5	750 / 441	Inlet: 150 mm - Outlet: 103 mm	290 x 257 x 170 mm
5500102624	FLEX 6"	24	9	1000 / 589	Inlet: 150 mm - Outlet: 103 mm	290 x 257 x 180 mm



**INLINE SERIES:** A modern range of inline blowers utilizing advanced fan blade design technologies suitable for bulkhead mounting and for receiving 178 mm. diameter hoses. The first vane axial-flow bilge blowers designed using aerospace technology to maximize performance. No other bilge blowers on the market provides such a powerful system output at such a low power input and in so a compact size. Silent operation. For added durability, Matromarine incorporated an engineered plastic housing that withstands deformation during installation and shelters blade from housing interference. Complying with ISO 8846, EN 55014.



- Compact and simple design
- Flexible installation
- Low power consumption
- Quiet operation
- Meets Iso 8846 en55014 standards
- Five blade design maximizes flow and performance
- Long motor lifetime from powerful airflow cooling.



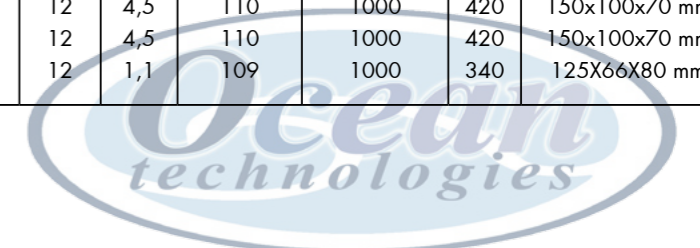
PART. N.	MODEL	VOLT	AMP	CAPACITY MCH/CFM	USAGE	PORT CONNECTION	DIMENSION LARGE X LENGTH X HEIGHT
5500105012	FLANGE 7" VERSION A	12	5	750 / 441	INTERMITTENT	178 MM	250 x 220 HOSE:178 mm
5500105024	FLANGE 7" VERSION A	24	2,5	750 / 441	INTERMITTENT	178 MM	250 x 220 HOSE:178 mm
5500105512	FLANGE 7" VERSION B	12	5	750 / 441	INTERMITTENT	178 MM	165 x 220 HOSE:178 mm
5500105524	FLANGE 7" VERSION B	24	2,5	750 / 441	INTERMITTENT	178 MM	165 x 220 HOSE:178 mm
5500115012	FLANGE 7" VERSION A	12	7	1000 / 589	CONTINUOUS DUTY	178 MM	250 x 220 HOSE:178 mm
5500115024	FLANGE 7" VERSION A	24	3,5	1000 / 589	CONTINUOUS DUTY	178 MM	250 x 220 HOSE:178 mm
5500115512	FLANGE 7" VERSION B	12	7	1000 / 589	CONTINUOUS DUTY	178 MM	165 x 220 HOSE:178 mm
5500115524	FLANGE 7" VERSION B	24	3,5	1000 / 589	CONTINUOUS DUTY	178 MM	165 x 220 HOSE:178 mm

## Ocean Marine Horns

A wide range of marine electromagnetic horns for pleasure boats. Casing in strong ABS material particularly suitable to roll bar installation. Easy to be mounted. Corrosion-resistant. Tested at 50.000 cycles (1" on-4" off) Type approval 70/388 EEC. Supplied with stainless steel fixed plate. Flush mounting horn to be installed on deck. Fully watertight.



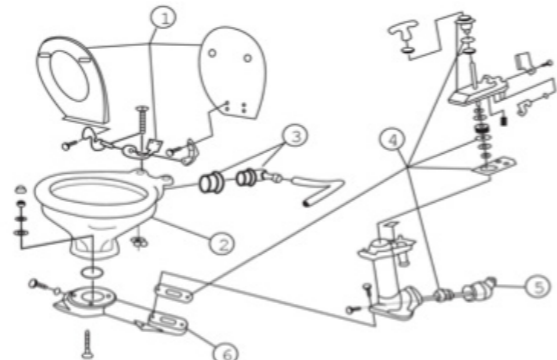
PART. N.	COLOUR AND MATERIAL	TYPE	VOLT	AMP	DB AT 2 MT.	DISTANCE MT	HZ	DIMENSION L X W X H
7500000500	WHITE ABS/ ZINC IRIDE	SUPPORT	12	4,5	110	1000	420	150x100x70 mm
7500000501	WHITE-CHROMED ABS./ZINC IRIDE	SUPPORT	12	4,5	110	1000	420	150x100x70 mm
7500000505	BLACK ABS /ZINC IRIDE	SUPPORT	12	4,5	110	1000	420	150x100x70 mm
7500000510	BLACK CHROMED/ZINC IRIDE	SUPPORT	12	4,5	110	1000	420	150x100x70 mm
7500000512	WHITE ABS/ZINC IRIDE	FLUSH	12	1,1	109	1000	340	125X66X80 mm



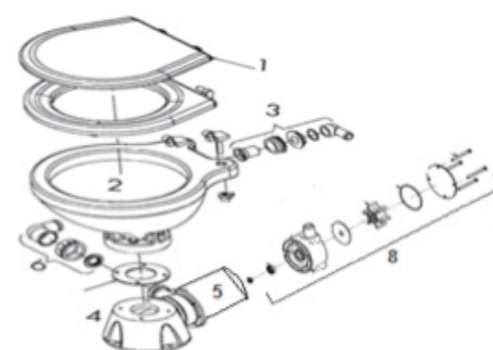


Service parts

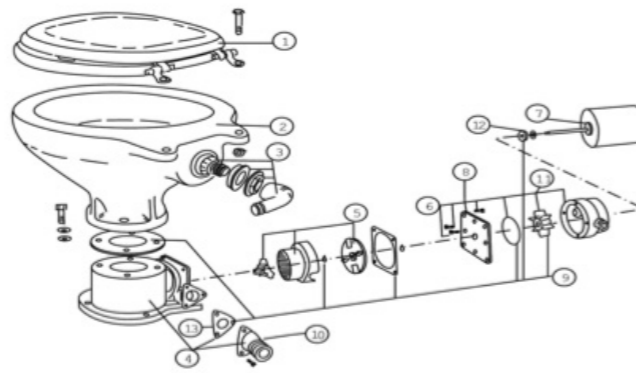
MANUAL TOILETS SPARE VALID FOR MODELS		COMMON SPARES	
6600000700	<b>MANUAL TOILET COMPACT 99 WOODEN SEAT</b>	6100000777	6 plastic base
6500000001	wooden seat compact	6100000770	manual pump with base gasket
6100000700	kit conversion 2k	6500011000	4 gasket kit 2k
6500000505	bowl compact	650000553	3 intake elbow 90°
6600200700	<b>MANUAL TOILET COMPACT 99 SOFT CLOSE S.</b>	6000007011	bowls gasket/screws
6500000002	soft close seat compact	gm000wm002	check valve
6100000700	kit conversion 2k		
6500000505	bowl compact		
6600200800	<b>MANUAL TOILET COMFORT 99 SOFT CLOSE S.</b>		
6500000004	soft close seat comfort		
6100000700	kit conversion 2k		
6500000509	bowl comfort		
6800200700	<b>MANUAL TOILET SPACE SAVER SOFT CLOSE S.</b>		
6500000002	soft close seat compact		
6100000700	kit conversion 2k		
6500000503	bowl space saver		
6800000700	<b>MANUAL TOILET SPACE SAVER WOODEN SEAT</b>		
6500000001	wooden seat compact		
6100000700	kit conversion 2k		
6500000503	bowl space saver		



ELECTRIC TOILETS EVOLUTION SPARE VALID FOR MODELS		COMMON SPARES	
6400000712	<b>ELECTRIC TOILET COMPACT 12V.SOFT CLOSE S.</b>	5600000405	4 BASE GROUP
6500000002	soft close seat compact	6000056112	5 MOTOR GROUP 12V.
5600000112	kit conversion 12v	6000056124	5 MOTOR GROUP 24V.
6500000505	bowl compact	5600000407	6 OUTLET ELBOW
6400000724	<b>ELECTRIC TOILET COMPACT 24V. SOFT CLOSE S</b>	6500000553	3 intake elbow 90°
6500000002	soft close seat compact	5600000110	8 FLUSH PUMP GROUP PLASTIC
5600000124	kit conversion 24 v	5600000100	GASKET KIT
6500000505	bowl compact		
6400000812	<b>ELECTRIC TOILET COMFORT 12V.SOFT CLOSE S.</b>		
6500000004	soft close seat comfort		
5600000112	kit conversion 12v		
6500000509	bowl comfort		
6400000824	<b>ELECTRIC TOILET COMFORT 24V.SOFT CLOSE S</b>		
6500000004	soft close seat comfort		
5600000124	kit conversion 24 v		
6500000509	bowl comfort		



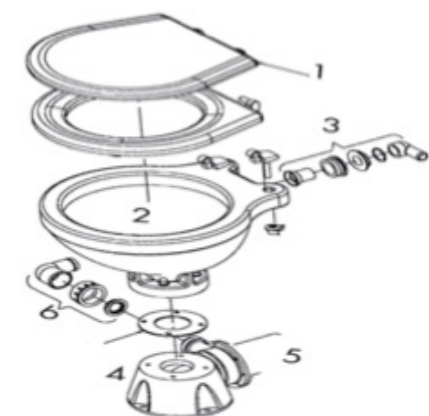
ELECTRIC TOILETS STANDARD SPARE VALID FOR MODELS		COMMON SPARES	
6500000712	<b>ELECTRIC TOILET COMPACT 12V. WOODEN SEAT</b>	5500000000	9 GASKET KIT
6500000001	wooden seat compact	PL000WE004	10 DISCHARGE PORT CONNECTION
5500000712	kit conversion 12v	5500019010	FLUSH PUMP GROUP PLASTIC
6500000505	bowl compact	6000007121	5 MACERATOR GROUP
6500000724	<b>ELECTRIC TOILET COMPACT 24V. WOODEN SEAT</b>	GM000PK001	11 IMPELLER
6500000001	wooden seat compact	6000007007	13 DISCHARGE VALVE
5500000724	kit conversion 24 v	6000007105	10 DISCHARGE PORT CONNECTION 90°
6500000505	bowl compact	6000007100	4 PLASTIC BASE
6700000712	<b>ELECTRIC TOILET COMPACT 12V.SOFT CLOSE S.</b>	6500000551	3 intake elbow
6500000002	soft close seat compact	6000000712	7 ELECTRIC MOTOR 12V.
5500000712	kit conversion 12v	6000000724	7 ELECTRIC MOTOR 24V.
6500000505	bowl compact		
6700000724	<b>ELECTRIC TOILET COMPACT 24V. SOFT CLOSE S</b>		
6500000002	soft close seat compact		
5500000724	kit conversion 24 v		
6500000505	bowl compact		
6700000812	<b>ELECTRIC TOILET COMFORT 12V.SOFT CLOSE S.</b>		
6500000004	soft close seat comfort		
5500000712	kit conversion 12v		
6500000509	bowl comfort		
6700000824	<b>ELECTRIC TOILET COMFORT 24V.SOFT CLOSE S</b>		
6500000004	soft close seat comfort		
5500000724	kit conversion 24 v		
6500000509	bowl comfort		
6500000412	<b>ELECTRIC TOILET space saver 12V.SOFT CLOSE S</b>		
6500000002	soft close seat compact		
5500000712	kit conversion 12v		
6500000503	bowl space saver		
6500000424	<b>ELECTRIC TOILET space saver 24V.SOFT CLOSE S</b>		
6500000002	soft close seat compact		
5500000724	kit conversion 24 v		
6500000503	bowl space saver		



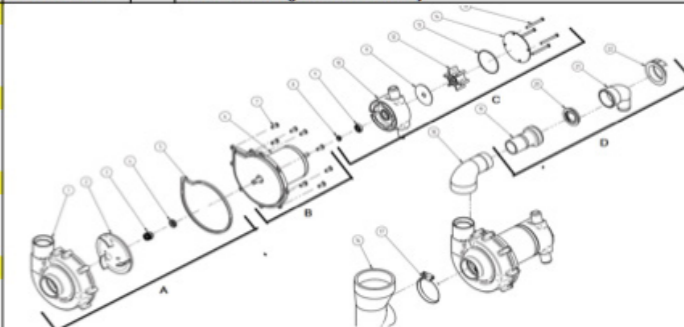
Pn:6500000002-6500000001 A= 24; B= 22,5; C= 31,5; D= 33,5 cm  
 Pn:6500000004-6500000003 = 21,5;B= 26 ;C= 40;D= 36,5 cm  
 Pn:6500000007 A= 22;B= 28,5 ;C= 45;D= 35,5 cm  
 Pn:6500000008 only for deluxe bowls.  
 Pn:6500000011 hinge set for compact wooden seat  
 Pn:6500000011.2 hinge set for comfort wooden seat  
 Pn 6500000011.3 screw and nut for soft close seat compact and comfort.

Compact and Comfort seat and Hinge set comply with Matromarine wooden seat, Raritan, Johnson Jabco and all Bemis seat equipped in the most installation of electric and manual toilet.

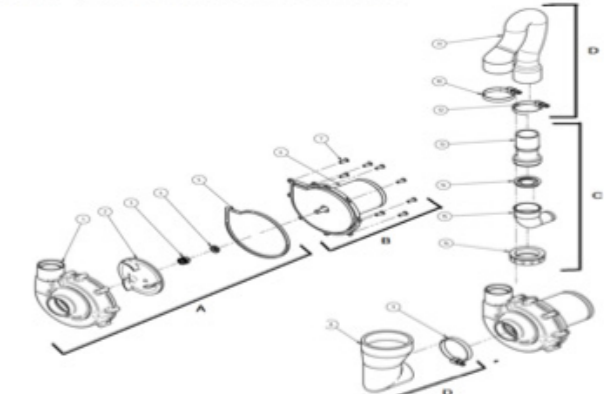
ELECTRIC TOILET SILENT SPARE VALID FOR MODELS		COMMON SPARES	
6600200712	<b>ELECTRIC TOILET COMPACT 12V. SOFT CLOSE S</b>	5600000405	4 BASE GROUP
6500000002	soft close seat compact	6000002112	5 MOTOR GROUP 12V.
5600000712	kit conversion 12v	6000002124	5 MOTOR GROUP 24V.
6500000505	bowl compact	5600000407	6 OUTLET ELBOW
6600200724	<b>ELECTRIC TOILET COMPACT 24V. SOFT CLOSE S</b>	6500000551	3 intake elbow
6500000002	soft close seat compact		
5600000724	kit conversion 24 v		
6500000505	bowl compact		
6600200812	<b>ELECTRIC TOILET COMFORT 12V.SOFT CLOSE S</b>		
6500000004	soft close seat comfort		
5600000712	kit conversion silent 12v		
6500000509	bowl comfort		
6600200824	<b>ELECTRIC TOILET COMFORT 24V.SOFT CLOSE S</b>		
6500000004	soft close seat comfort		
5600000724	kit conversion silent 24 v		
6500000509	bowl comfort		



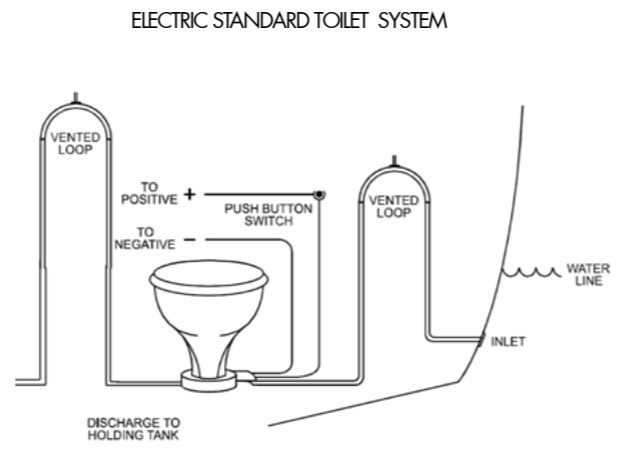
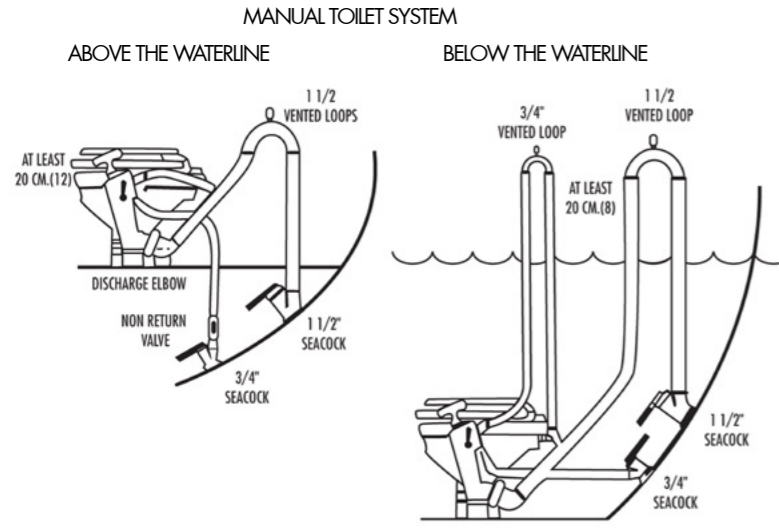
ELECTRIC TOILET STANDARD Laguna SPARE VALID FOR MODELS		COMMON SPARES	
6500200912	<b>ELECTRIC TOILET LAGUNA 12V. Soft c. SEAT</b>	5500019008	A PLASTIC BASE LAGUNA AND DELUXE STD/LOW
6500000002	soft close seat compact	5500019010	C FLUSH PUMP GROUP PLASTIC for laguna version
5500019112	kit conversion std laguna 12v	5500003810	C FLUSH PUMP GROUP PLASTIC for luxury version
6500000512	bowl laguna	6000019112	B ELECTRIC MOTOR 12V. LAGUNA AND DELUXE STD/LOW
6500200924	<b>ELECTRIC TOILET LAGUNA 24V. Soft c. SEAT</b>	6000019112	B ELECTRIC MOTOR 24V. LAGUNA AND DELUXE STD/LOW
6500000002	soft close seat compact	5500019100	GASKET KIT (All gasket in the abc selection)
5500019124	kit conversion std laguna 24 v	5500019006	D OUTLET ELBOW LAGUNA AND DELUXE STD/LOW
6500000512	bowl laguna	6500000551	intake elbow laguna/deluxe/luxury
6500002412	<b>ELECTRIC TOILET 12V. "Luxury" LOW</b>		
6500000007	SEAT FOR LUXURY SOFT CLOSE		
6500000545	NEW LUXURY TOILET BOWL LOW		
5500003812	DELUXE HYDRO-VACUUM KIT 12V.		
6500002424	<b>ELECTRIC TOILET 24V. "Luxury" LOW</b>		
6500000007	SEAT FOR LUXURY SOFT CLOSE		
6500000545	NEW LUXURY TOILET BOWL LOW		
5500003824	DELUXE HYDRO-VACUUM KIT 24 V.		
6500002612	<b>ELECTRIC TOILET 12V. "Luxury" STD</b>		
6500000007	SEAT FOR LUXURY SOFT CLOSE		
6500000547	NEW LUXURY TOILET BOWL STD		
5500003812	DELUXE HYDRO-VACUUM KIT 12V.		
6500002624	<b>ELECTRIC TOILET 24V. "Luxury" STD</b>		
6500000007	SEAT FOR LUXURY SOFT CLOSE		
6500000547	NEW LUXURY TOILET BOWL STD		
5500003824	DELUXE HYDRO-VACUUM KIT 24 V.		



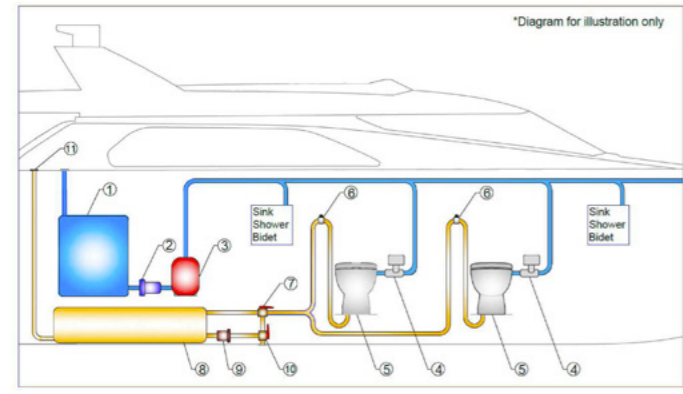
ELECTRIC TOILET SILENT LAGUNA SPARE VALID FOR MODELS		COMMON SPARES	
6600200912	<b>ELECTRIC TOILET 12V.soft c. SEAT</b>	5500019008	A PLASTIC BASE LAGUNA AND DELUXE STD/LOW
6500000002	soft close seat compact	6000019012	B ELECTRIC MOTOR 12V. LAGUNA AND DELUXE STD/LOW
5500019712	kit conversion silent laguna 12v	6000019024	B ELECTRIC MOTOR 24V. LAGUNA AND DELUXE STD/LOW
6500000512	bowl laguna	6500000551	intake elbow laguna/deluxe/luxury
6600200924	<b>ELECTRIC TOILET 24V. Soft c. SEAT</b>	5500019706	C OUTLET ELBOW LAGUNA AND DELUXE STD/LOW
6500000002	soft close seat compact	5500019705	D HOSES KIT FOR LAGUNA SILENT
5500019724	kit conversion silent laguna 24 v	5500019100	Gasket kit( all gasket in the a,b,c sets valid also for Luxury mod.
6500000512	bowl laguna		
<b>ELECTRIC SILENT DELUXE/LUXURY SPARE VALID FOR MODELS</b>		<b>COMMON SPARES</b>	
6500003212	<b>HYDRO-VACUUM TOILET 12V. "Deluxe" STD</b>	5500019008	A PLASTIC BASE LAGUNA AND DELUXE STD/LOW
6500000008	SEAT FOR DELUXE colbam	6000019012	B ELECTRIC MOTOR 12V. LAGUNA AND DELUXE STD/LOW
6500000542	NEW DELUXE TOILET BOWL STD	6000019024	B ELECTRIC MOTOR 24V. LAGUNA AND DELUXE STD/LOW
5500019812	DELUXE HYDRO-VACUUM KIT 12V.	6500000551	intake elbow laguna/deluxe/luxury
6500003224	<b>HYDRO-VACUUM TOILET 24V. "Deluxe" STD</b>	5500019706	C OUTLET ELBOW LAGUNA AND DELUXE STD/LOW
6500000008	SEAT FOR DELUXE colbam	5500019805	D HOSES KIT FOR DELUXE/LUXURY
6500000542	NEW DELUXE TOILET BOWL STD		
5500019824	DELUXE HYDRO-VACUUM KIT 24V.		
6500002042	<b>HYDRO-VACUUM TOILET 12V. "Luxury" LOW</b>		
6500000007	SEAT FOR LUXURY SOFT CLOSE		
6500000545	NEW LUXURY TOILET BOWL LOW		
5500019812	DELUXE HYDRO-VACUUM KIT 12V.		
6500002044	<b>HYDRO-VACUUM TOILET 24V. "Luxury" LOW</b>		
6500000007	SEAT FOR LUXURY SOFT CLOSE		
6500000545	NEW LUXURY TOILET BOWL LOW		
5500019824	DELUXE HYDRO-VACUUM KIT 24 V.		
6500002242	<b>HYDRO-VACUUM TOILET 12V. "Luxury" STD</b>		
6500000007	SEAT FOR LUXURY SOFT CLOSE		
6500000547	NEW LUXURY TOILET BOWL STD		
5500019812	DELUXE HYDRO-VACUUM KIT 12V.		
6500002244	<b>HYDRO-VACUUM TOILET 24V. "Luxury" STD</b>		
6500000007	SEAT FOR LUXURY SOFT CLOSE		
6500000547	NEW LUXURY TOILET BOWL STD		
5500019824	DELUXE HYDRO-VACUUM KIT 24 V.		



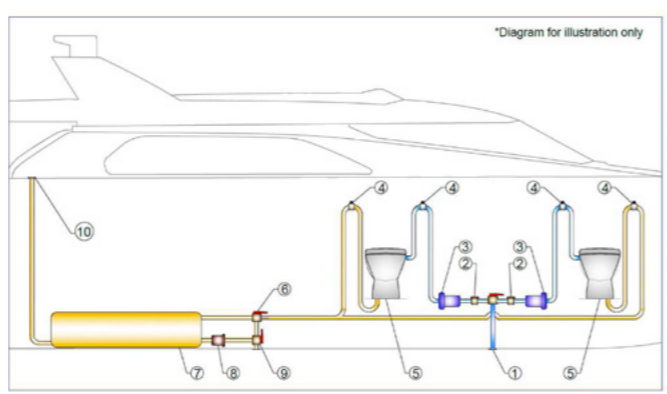




**ELECTRIC SILENT TOILET SYSTEM**



CENTRALIZED FRESH WATER SYSTEM / IMPIANTO CENTRALIZZATO ACQUA DOLCE

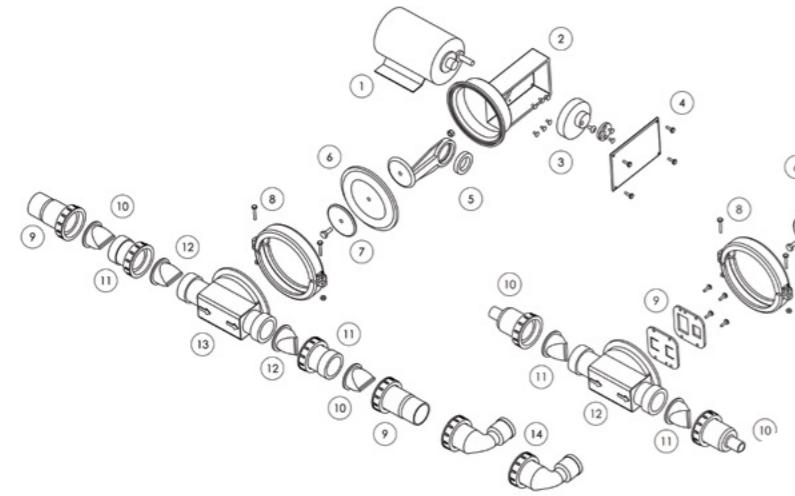


MULTIPLE SINGLE SYSTEM / IMPIANTO SINGOLO MULTIPLO

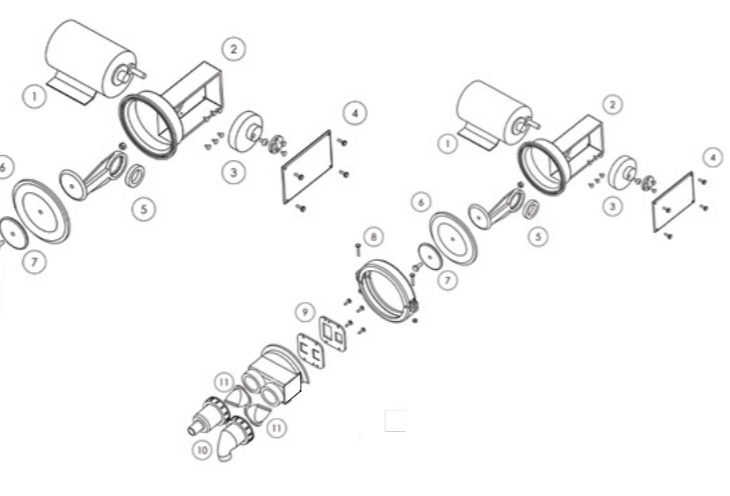
1 FRESH WATER TANK	6 VENTILATION VALVE
2 FRESH WATER PUMP	7 Y SELECTION VALVE
3 ACCUMULATOR	8 HOLDING TANK with sensor
4 SOLENOID	9 HOLDING TANK DISCHARGE PUMP
5 MACERATOR TOILET	10 BLACK WATER OUTLET - HULL
	11 BLACK WATER OUTLET - DECK

1 RAW WATER INTAKE - ball valve seacock	6 Y SELECTION VALVE
2 RAW WATER STRAINER	7 HOLDING TANK with sensor
3 RAW WATER PUMP	8 HOLDING TANK DISCHARGE PUMP
4 VENTILATION VALVE - siphon break	9 BLACK WATER OUTLET - HULL
5 MACERATOR TOILET	10 BLACK WATER OUTLET - DECK

**WASTE AND GREY WATER PUMPS**



**COMPACT GREY WATER PUMP**



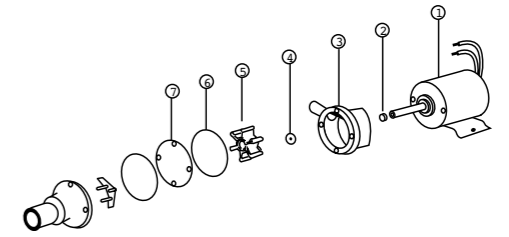
EXPLODED VIEW / SPARE PART LIST:  
 01) 6000108712-24 MOTOR 12/24 V.  
 05)-07) 8700001105 PISTON ROD.  
 06)-10)-12) 8700001106 GASKET KIT  
 08) 8700001108 FIXING CLAMPS  
 09)-10)-11)-12)-13)-14) 8700001110 WASTE PUMP GROUP

01) 6000108512-24 22 LITRES MOTOR12/24V.  
 05)-07) 8700001105 PISTON ROD.  
 06)-9)-11) 8700101106 GASKET KIT  
 08) 8700001108 FIXING CLAMPS  
 10)-11)-12) 8700101110 GREY PUMP GROUP WITH 19 AND 25 MM. PORT.

01) 6000108212-24 22 LITRES MOTOR12/24V.  
 05)-07) 8700001105 PISTON ROD.  
 06)-9)-11) 8700101106 GASKET KIT  
 08) 8700001108 FIXING CLAMPS  
 10)-11)-12) 8700101111 GREY PUMP GROUP WITH 19 AND 25 MM. PORT.

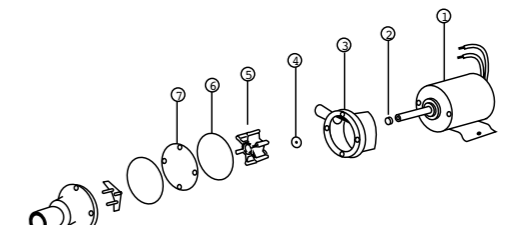
**MACERATOR PUMP**

EXPLODED VIEW.  
 SPARE PART LIST:  
 01) 6000000912/924 MOTOR 12/24 V.  
 08) PLO00MC002 MACERATOR PROPELLER  
 04) GM000PK008 OIL SEAL  
 05) GM000PK001 MACERATOR IMPELLER  
 5500000005 MACERATOR KIT (2-4-5-6)



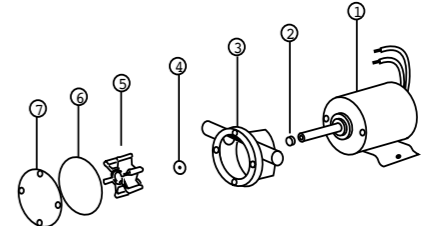
**MAXI MACERATOR PUMP**

EXPLODED VIEW.  
 SPARE PART LIST:  
 01) 6000001012/1024 MOTOR 12/24 V.  
 08) PLO00MC002 MACERATOR PROPELLER  
 04) GM000PK008 OIL SEAL  
 05) GM000PK001 MACERATOR IMPELLER  
 5500000005 MACERATOR KIT (2-4-5-6)



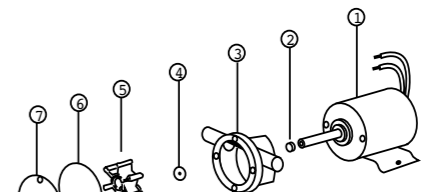
**DECK PUMP AND ECO DECK**

EXPLODED VIEW.  
 SPARE PART LIST:  
 01) 6000000112/24 MOTOR 12/24 V.  
 04) GM000PK008 OIL SEAL  
 05) GM000PK001 IMPELLER 6000001113 ULTRA NITRILE IMPELLER  
 8500000111 SERVICE KIT (2-4-5-6)  
 8500000100 PUMP GROUP (3-4-5-6-7)



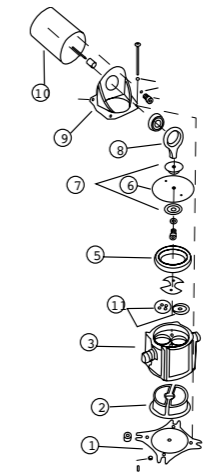
**MAXI DECK PUMP:**

EXPLODED VIEW.  
 SPARE PART LIST:  
 01) 6000000212/24 MOTOR 12/24 V.  
 04) GM000PK008 OIL SEAL  
 05) GM000PK001 IMPELLER 6000001113 ULTRA NITRILE IMPELLER  
 8500000111 SERVICE KIT (2-4-5-6)  
 8500000100 PUMP GROUP (3-4-5-6-7)



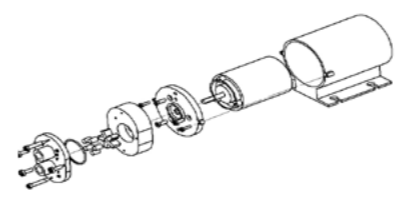
**GEAR PUMP**

MOTOR GROUP: 6000000312 8 LPM 12 V  
 MOTOR GROUP: 6000000324 8 LPM 24 V  
 MOTOR GROUP 6000000512 12 LPM 12V.  
 MOTOR GROUP 6000000524 12 LPM 24V.  
 PUMP GROUP: 8500000308 FOR BOTH MODELS.  
 MN000PI001: HOSE BARB 14 MM. 3/8 "  
 8500000310 HOSES KIT 8/6 MM  
 8500000510 HOSES KIT 8/6 MM FOR 512 AND 524 VERSIONS.

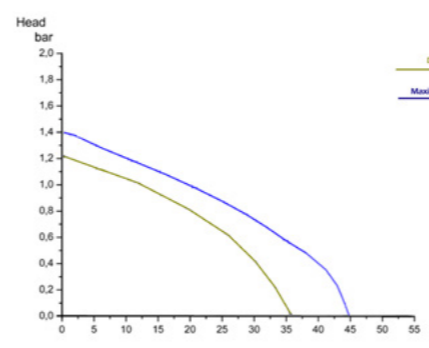


**DIAPHRAGM PUMP**

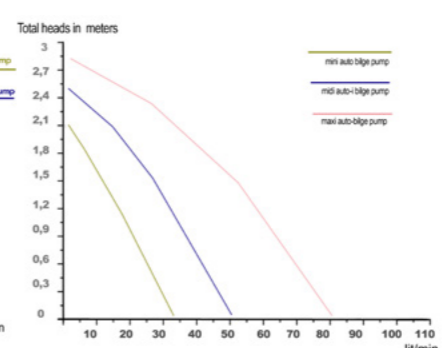
EXPLODED VIEW.  
 SPARE PART LIST:  
 1) PLO00PM005 BOTTOM PLATE  
 2) GM000PM004 PULSATION DAMPENER  
 3) PLO00PM001 PUMP BODY  
 5) PLO00PM002 RETAINER  
 6) GM000PM001 DIAPHRAGM (6-7-11-2)  
 8500001800 SERVICE KIT  
 7) TC000PM003 DRAWN WASHERS  
 8) 8500001808 CONNECTING ROD  
 9) PLO00PM006 MOTOR BRACKET  
 10) 6000001812/24 MOTOR 12/24 V.



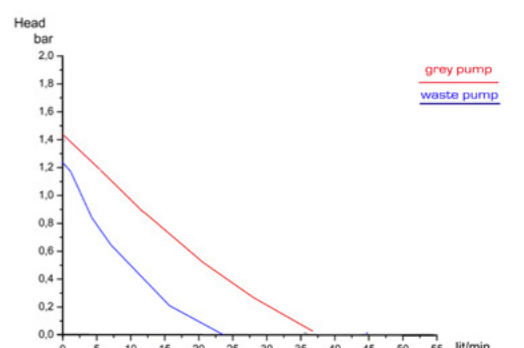
**IMPELLER PUMPS**



**SUBMERSIBLE BILGE PUMPS**

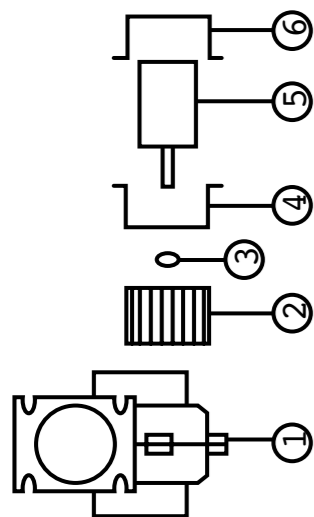


**GREY/WASTE WATER PUMP**





**CENTRIFUGAL BLOWER:**



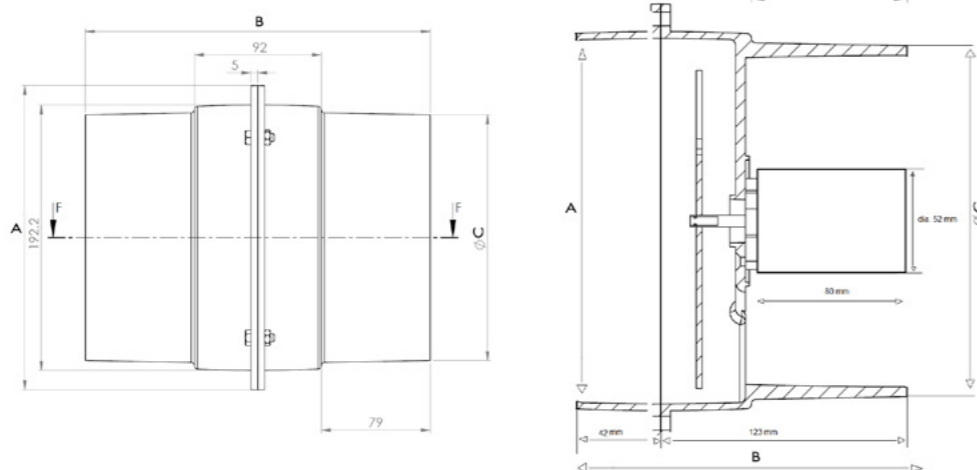
- SPARE PARTS:  
 2) PLO00BLO04 Blower Fan 280 M3/H 2)  
 PLO00BLO12 Blower Fan (All Other Models)  
 5) 6000001212-24 Motor Blower 12 V-24V 280 M3/H  
 6000101212-24 Motor Blower 12 V-24V- 550 M3/H  
 6000101412/ 24 Motor Blower 12 V.-24 V 750 M3/H  
 6000101624 Motor Blower 24 V1000 M3/H  
 PLO00BLO13 Plastic Flexmount bracket (Model< 550 M3/H)

- SPARE GRIDS:  
 6000001215 Grate For 5500001212/24  
 PLO00BLO17 Grate 120X120 mm.for all the other models  
 PLO00BLO05 Reduction For 5500001212/24

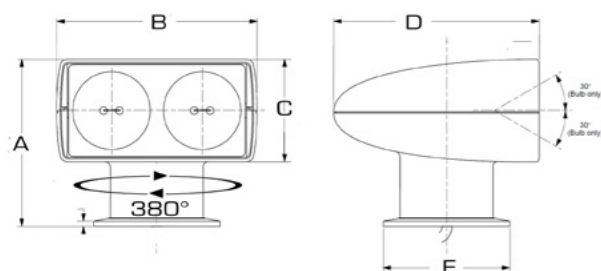
**INLINE BLOWERS:**

- SPARE PARTS:  
 1)6000001212 Motor Blower 12 V  
 6000001224 Motor Blower 24 V  
 2)PLO0IBLO03 Blower Fan blade  
 3)PLO0LBLO01 Blower housing  
 4)PLO0LBLO02 Blower housing flange v.  
 5)TC000BLO01 SS. Bracket

DESCRIPTION	WEIGHT	A	B	C
INLINE BLOWER 750/1000 MC/H	1,6 KG	220 MM	250 MM	178 MM
INLINE BLOWER 750/1000MC/H FLANGE	1,1 KG	192 MM	165 MM	178 MM



**SPOTLIGHTS**



- SPARE PARTS:  
 ME000FR010 QUICK EXTENSION LEAD 4 MT.  
 7000002008 BASE MOTOR GROUP  
 7000002009 BODY MOTOR GROUP

Dimension in mm. column "c" is the size of the spare head-light.

PART N.	DESCRIPTION	WEIGHT KG.	A	B	C	D	E
700000012-24	SINGLE	2	220	160	146	220	120
710000012-24	DOUBLE	2,2	220	275	115	225	120
7100100012-24	LED	2,3	220	275	115	225	120
720000012-24	2005	2,4	130	260	156	350	143
7200100012-24	XENON	2,9	320	260	156	350	143
7000000003-4	FLOODLIGHT	0,6	140	120	115	65	25

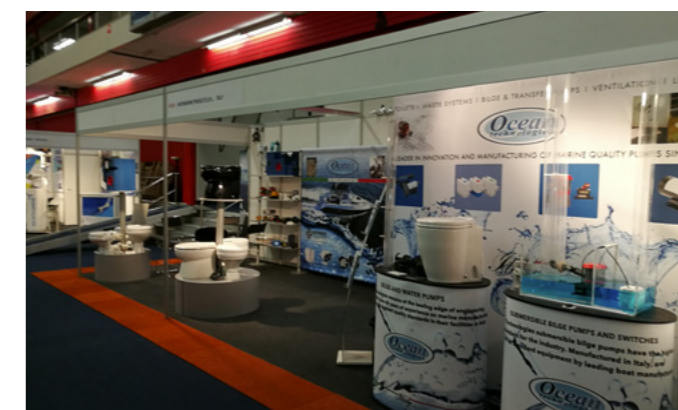


**Worldwide Distributors, Local Service & customer satisfaction**

Ocean Technologies is a well - known brand with a reputation built on 40 years of high quality design expertise. Today, we supply marine customers around the world with innovative marine pumps and toilets,waste water handling products,lighting and ventilation equipments. We are proud to design, manufacture and export them in 70 countries all over the world through our authorized distributors and private labels customers. Call us directly or send us emails for product and installation advice and local service. Email: [info@matromarine.com](mailto:info@matromarine.com) | Phone +390109630004.

Matromarine is strongly believing that customer service is the foundation of our ability to build and maintain business relationships in the markets we service. Our philosophy will always lead its commitment to personal service, which is evident in our dedication to details.

Matromarine continues to raise the bar for end-product performance with cutting edge technology, intellectual property and global manufacturing capabilities. We look confidently to the challenges of the new century. This confidence is grounded on a convincon that the support of customers and employees provides the synergy for success. New stock facilities in United states at JMS Fort lauderdale FL. <https://jms.qwik-order.com>







Discover our range of products in the new website:

**WWW.MATROMARINE.COM**



**MATROMARINE PRODUCTS SRL**  
**VIA SEREGHE 1 16017**  
**ISOLA DEL CANTONE**  
**GENOVA ITALY**  
**TEL.:+390109630004**  
**FAX.:+390109630029**  
**INFO@MATROMARINE.COM**

All rights reserved. Matromarine is not responsible for any printing, mechanical or other errors and reserves the right to change technical specifications, design features and dimensional data without prior notice or obligation