



TOILETS | WASTE SYSTEM | BILGE & TRANSFER PUMPS | VENTILATION | LIGHTING

# MARINE PRODUCT GUIDE



A leader in innovation  
and manufacturing  
since 1976 

# MARINE PRODUCT GUIDE

Ocean Technologies is a marine equipment manufacturing brand developed by Matromarine Products, an internationally recognized manufacturer of high quality products used in the recreational and commercial marine industries. The worldwide sales, marketing and distribution of Ocean Technologies products is conducted by selected marine professional groups the world over. Nearly 47 years of experience providing solutions for marine equipment need to ensure a high quality standard. We are certified ISO 9001. Today Matromarine is producing not only toilets and pumps, but can boast of a range of over 100 articles for pleasure crafts, many of which are bearing the mark and the approval of R.I.N.A., according to Solas rules. Today the use of advanced technology enables Matromarine to reach the highest International Quality Standards, allowing the creation of highly competitive products that are exported daily to more than 56 countries. Thanks to own experience, innovations and trade expansion in the last few years, Matromarine is now acknowledged as a leading manufacturer in this business field. This is also due to a skilled and versatile organization offering a top qualified and professional management team geared to the needs of the individual customer.

## CONTENTS

<b>Marine Toilets &amp; Waste kit</b>	<b>5</b>
<b>Waste Water Treatment</b>	<b>15</b>
<b>Marine Pumps and Accessories</b>	<b>19</b>
<b>Submersible bilge Pumps and float switches</b>	<b>22</b>
<b>Ocean Marine Searchlight</b>	<b>28</b>
<b>Ocean Marine Blowers</b>	<b>31</b>
<b>Matromarine worldwide</b>	<b>39</b>

Since high quality has always been a signature trademark of all Matromarine products, you can be sure that you'll receive only top marketed quality products.

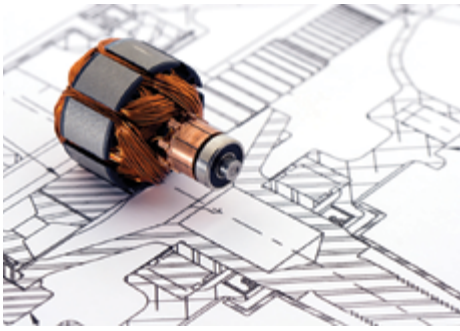


marked according to the following Standards:  
EN 55014 Radio disturbance  
ISO 8846 Protection against Ignition of surrounding flammable gases

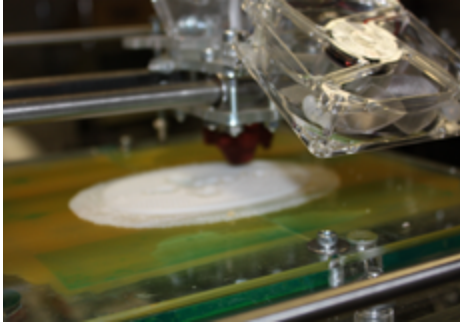
### IMPORTANT

We are manufacturers of all articles shown in the catalogue. Upon request we can supply electric motors and equipments at low tension according to your specification.





**LATEST  
TECHNOLOGY  
IN DC MOTOR  
MANUFACTURING**



**ENGINEERING  
& RAPID PROTOTYPING:  
INNOVATIVE R&D DEPT**



**PREMIUM CERAMIC  
DESIGN AND  
MANUFACTURING**



**WE SHARE OVER  
30 YEARS OF  
EXPERIENCE WITH  
MOST OF OUR STAFF**

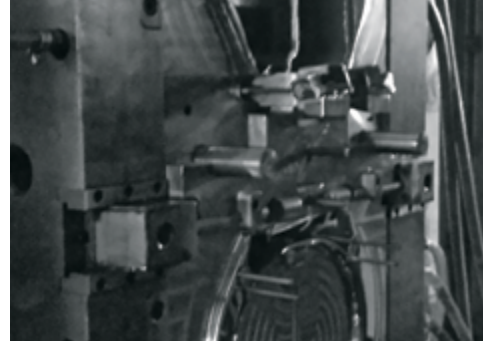


**WELL KNOWN  
TO SATISFY  
CUSTOMER OEM  
AND AFTERMARKET  
DEMANDS**

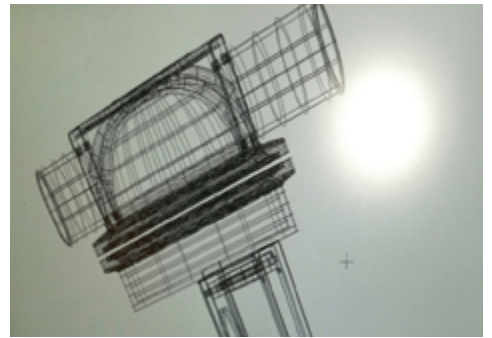
**35 EMPLOYEES  
AND 2500 M2  
OF PRODUCTION  
AREA AND WORKSHOP**



**LATEST  
TECHNOLOGY  
IN INJECTION  
MOULDING**



**INNOVATIVE  
DESIGN  
ENGINEERING**



**NEW EXCLUSIVE  
FULL COLOUR  
PACKAGING**



**ALL PRODUCTS  
ARE 100% TESTED  
IN OUR FACILITIES**



# Marine Toilets & Waste kit

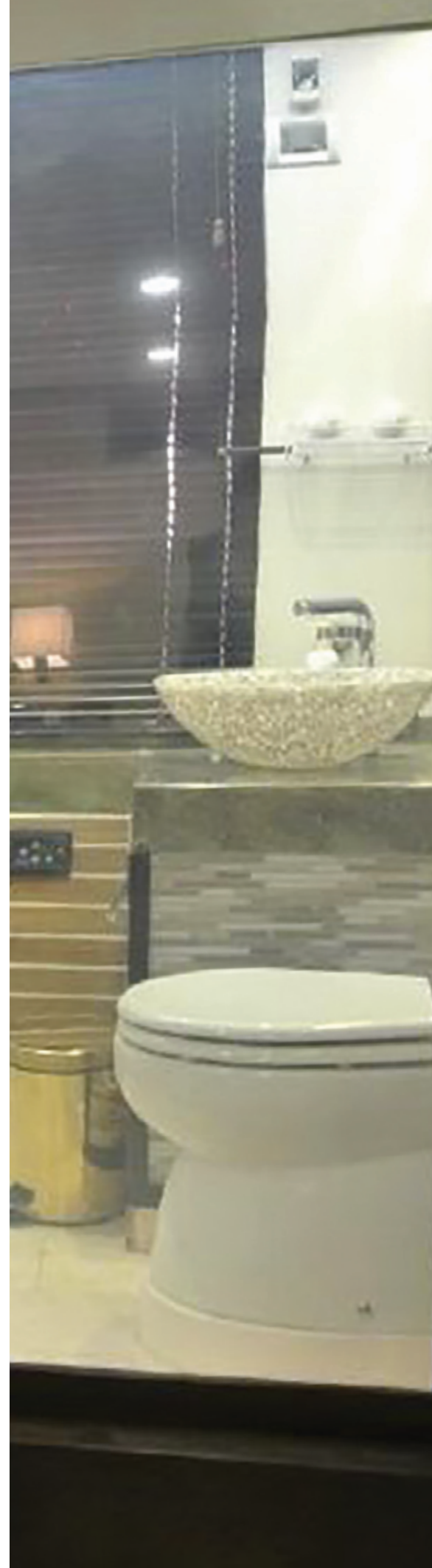
There is a Matromarine toilet to suit every boat and budget. Matromarine toilets are the world's best selling thanks to an innovative design that positions all the fastenings facing the front or the top in order to make maintenance simple in confined spaces. Performance, reliability, noise level and design have really reached the highest standards. Available in 3 different basic models: electric standard, electric silent or manual, the fine finish and the outstanding design make these toilets a perfect choice. Made of white vitreous porcelain, with corrosion resistant parts, Matromarine toilets are silent, heavy duty and easy to clean.

All toilets are built around a simple, easy to access and interchangeable macerator jet pumps. Reliability has been proven over three decades in a variety of Matromarine toilet models and around 1.000.000 units sold all over the world under Ocean Technologies brand and other private labels leader in the marine market. Each and every toilet is designed, manufactured and manually tested to provide years of trouble-free services. These toilets have got a soft close seat to prevent any noise that could disturb the quiet and the peace of the guests on board. Luxury toilets are standard equipped with Duroplast seat and lid with a quick-release system. The quick-release system enables the removal of the complete seat unit with the push of a button. This makes the cleaning of all toilet much easier.

New flushing systems are available for the full range of Ocean Technologies toilets. This new intake elbow with innovative spray nozzle maximizes hygiene thanks to the high pressure water jet. Low water consumption per flow. Now cleaning will be faster and better and finally covering 100% of the bowl rinse surface. The high rotation speed of the new macerator pump and the geometric design of its piping create a great vacuum able to remove water and organic waste from the bowl. The centrifugal pump on the silent version of Luxury and Laguna toilets (picture a) complies with ISO13857 (machinery safety distances). All toilets are equipped with luxury seats and can fit an integrated bidet system.

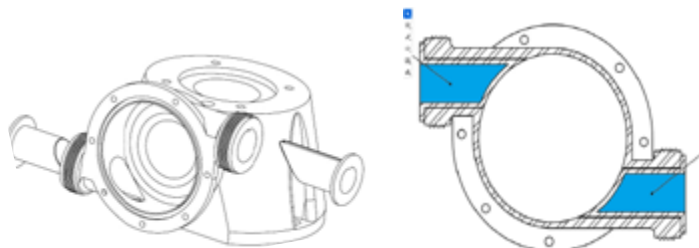


new spray nozzle



Matromarine has realized a range of toilets where performance, reliability, noise level and design have really reached the highest standards. The running cycle is completely automatic and eliminates wastewater through a high-performance pump that allows drainage of waste up to 4 m. in height and at a distance of 40 m. New flush pump integrated in the whole kit with 360° orientable discharge port connection 1" and 1" 1/2. Noise level is optimized against the standard electric toilets and reduced up to 30% lower while performance is increased of 50%. A special new duck valve on the discharge port connection prevents any return of black water.

- New dual port discharge pump to ensure pipework can be routed to rear
- Combined pump unit for flushing and wasting
- Extremely silent operation
- New high-performance discharge pump
- Kit conversions are interchangeable with Jabsco, TMC, RM69, SPX, etc.
- Reversible pump mounting on left or right handed installation
- All corrosion resistant material for marine use
- Spray nozzle elbow and soft close seat



The new dual discharge port connection allow any pipework routing



PART. N.	BOWL TYPE	VOLT	AMP	SEAT TYPE	SOFT CLOSE	CONVERSION KIT	DIMENSION IN MM. (width,depth,height) Open=high with seat open	KG	HOSE CONECTION (ORIENTABLE 360°)
6400000712	COMPACT	12	17	6500000002	YES	5600000112	335X420X390(670)OPEN	11	25 MM, 38 MM
6400000724	COMPACT	24	8	6500000002	YES	5600000124	335X420X390(670)OPEN	11	25 MM, 38 MM
6400000812	COMFORT	12	17	6500000004	YES	5600000112	365X460X385(730)OPEN	11	25 MM, 38 MM
6400000824	COMFORT	24	8	6500000004	YES	5600000124	365X460X385(730)OPEN	11	25 MM, 38 MM
6400000312	SPACE SAVER	12	19	6500000002	YES	5600000112	335X420XX325(620)OPEN	10	25 MM, 38 MM
6400000324	SPACE SAVER	24	10	6500000002	YES	5600000124	340X405X325(620)OPEN	10	25 MM, 38 MM

## Toilets Manual

Our newest design allows the boat owner or service agent to easily replace the existing toilet without having to bore new holes. Can easily substitute Jabsco, RM and many other brands. Fixing holes are same of Jabsco manual Toilet. The toilet may be mounted both above and below the waterline; the fitted pump is a self priming one; the reversible left-handed pump mounting enables to install the toilet indifferently on both sides; waste discharge is possible both overboard and into a holding tank on board; soft close plastic seat or wooden seat. Gross weight 10 kg.

- Kit conversions are interchangeable Jabsco, TMC, RM69,JP,etc.
- Reversible pump mounting on left or right handed installation
- Full sized external seal housing allows quick clean seal replacement and instant access to pump cylinder
- Angled pump and long stroke for more comfortable operation
- Innovative brake bushing prevents annoying leakage at the handle
- Spray nozzle elbow and soft close seat



PART. N.	BOWL TYPE	SOFT CLOSE	SEAT	PORT CONNECTIONS	CONVERSION KIT	DIMENSIONS (depth,width,height)
6800200700	Space saver	YES	6500000002	inlet. 19 mm outlet 38 mm	6100000700	400x450x295mm
6600200700	Compact	YES	6500000002	inlet. 19 mm outlet 38 mm	6100000700	400x450x340mm
6600000700	Compact	NO	6500000001	inlet. 19 mm outlet 38 mm	6100000700	400x450x340mm
6600200800	Comfort	YES	6500000004	inlet. 19 mm outlet 38 mm	6100000700	460x470x335mm

# New products 2025

## Ultra Slim Bevelled

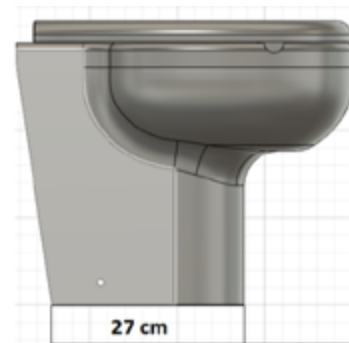
This ULTRA SLIM BEVELLED toilet model has been specifically designed to fit into all those tight spaces on board where adding a toilet sometimes seems like an afterthought. This design originally boasted the smallest footprint in a one piece chinabowl ceramic body and allows this model to fit into the 'step' found in most internal bulkheads on boats. The Ultra Slim Bevelled is an excellent choice for those with limited space and looking for simplicity in design but with multiple installation solutions. It can be installed above or below sea level. The operating cycle is fully automatic and eliminates waste water through a high performance pump that allows drainage of waste up to 5m. high and at a distance of 70m. This Hydrovacuum toilet can use either an automatic hydraulic system or an on-board waste pump for water loading. It is equipped with an electronic switch to automatically regulate the water inlet and outlet in 2 different phases: first the tank is filled with clean water, then the waste is discharged leaving the tank empty and clean. Water consumption is very low (about 1 – 2.5). Washing pump or solenoid valve to be ordered separately. Port connections: Inlet. 19 mm. 3/4", Outlet 25/38 1"1/2



STANDARD equipment with Rocker Switch with Carling components



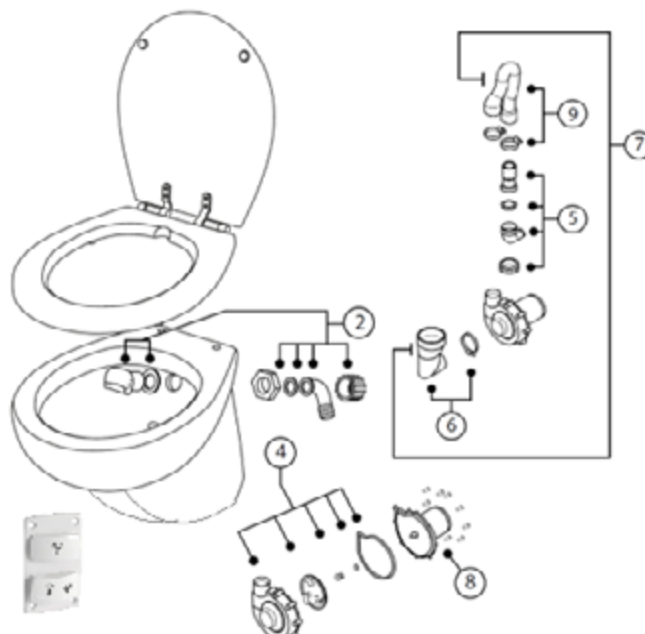
ALTERNATIVELY can be supplied with an IC-Intelligence Control Panel with 3 functions: Before Use, Short Use and with a Trimmer to regulate the water flow rate from 1 to 5 liters.



PART. N.	BOWL TYPE	VOLT	AMP	SEAT TYPE	SOFT CLOSE	CONVERSION KIT	DIMENSION IN MM. (width,depth,height) Open=high with seat open	WEIGHT KG	BIDET FITTINGS
6500002342	ULTRA SLIM	12	25	6500000007	YES	5500019712	365X455X455(840)OPEN	16	NO
6500002344	ULTRA SLIM	24	13	6500000007	YES	5500019724	365X455X455(840)OPEN	16	NO



ULTRA SLIM	1	2	3	4	5	6	7
MM	355	480	375	225	272	410	50





## Toilet Electric Silent

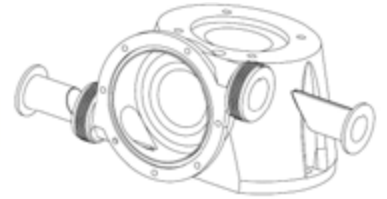
flush pump or electrovalve needs to be ordered apart

Electric silent (hydrovacuum): the new line of fitted design bowls in vitreous china makes this toilet very comfortable and attractive, just like a home toilet. The base is impact resistant. It can be installed either above or below the sea level. Matromarine has realized a range of toilets where performance, reliability, noise level and design have really reached the highest standards. The running cycle is completely automatic and eliminates wastewater through a high-performance pump that allows drainage of waste up to 7 m. in height and at a distance of 70 m.

This hydrovacuum toilet can use an automatic water system or a flush pump installed onboard for water inlet. It is fitted with an electronic switch to regulate automatically water inlet and outlet at 2 different stages: first the bowl is filled up with clear water, and then waste is discharged by leaving the bowl empty and clean. The Luxury and Deluxe model toilets can be installed indifferently with a centralized system or with a single system. Deluxe can also operate as a bidet: in fact, it is possible to supply it equipped with an optional bidet fitting. The water consumption is very low (about 1 – 2,5). Flush pump or electrovalve to be ordered apart. Upon request bowls are available in the following colours: champagne - light green - black -blue. Port connections: Inlet. 19mm. 3/4", Outlet 25/38 1"1/2.

## UPGRADE 2024

New dual port connection on the toilets silent and Evolution Space saver, Compact and comfort.



• dual port discharge pump to ensure pipework can be routed to rear



All silent toilets are supplied with IC. Intelligent control system panel 3 function control: Before use, After use, Short use and with a Trimmer to regulate flow rate from 1 to 5 liters.



Alternatively a Rocker switch with Carling components can be supplied.

PART. N.	BOWL TYPE	VOLT	AMP	SEAT TYPE	SOFT CLOSE	CONVERSION KIT	DIMENSION IN MM. (width,depth,height) Open=high with seat open	WEIGHT KG	BIDET FITTINGS
6600200412	SPACE SAVER	12	17	6500000002	YES	5600000712	335X420X345(620)OPEN	10	NO
6600200424	SPACE SAVER	24	8	6500000002	YES	5600000724	335X420X345(620)OPEN	10	NO
6600200712	COMPACT	12	17	6500000002	YES	5600000712	335X420X390(670)OPEN	11	NO
6600200724	COMPACT	24	8	6500000002	YES	5600000724	335X420X390(670)OPEN	11	NO
6600200812	COMFORT	12	19	6500000004	YES	5600000712	365X460X385(730)OPEN	11	NO
6600200824	COMFORT	24	10	6500000004	YES	5600000724	365X460X385(730)OPEN	11	NO
6600200912	LAGUNA	12	30	6500000002	YES	5500019712	340X405X410(720)OPEN	18	NO
6600200924	LAGUNA	24	16	6500000002	YES	5500019724	340X405X410(720)OPEN	18	NO
6500002042	LUXURY LOW	12	30	6500000007	YES	5500019812L	365X455X385(790)OPEN	20	NO
6500002044	LUXURY LOW	24	16	6500000007	YES	5500019824L	365X455X385(790)OPEN	20	NO
6500002242	LUXURY HIGH	12	30	6500000007	YES	5500019812	365X455X455(860)OPEN	21	NO
6500002244	LUXURY HIGH	24	15	6500000007	YES	5500019824	365X455X455(860)OPEN	21	NO
6500003212	DELUXE HIGH	12	30	6500000008	NO	5500019812	365X455X455(840)OPEN	21	YES
6500003224	DELUXE HIGH	24	15	6500000008	NO	5500019824	365X455X455(840)OPEN	21	YES

Space saver

**UPGRADE 2024**



Compact

**UPGRADE 2024**



Comfort

**UPGRADE 2024**



Deluxe High



Laguna



Luxury High



Luxury Low



# Electric Standard Toilets

The well proven and popular electric standard toilets with combined pump unit for flushing and wasting . All metal parts and screws are in stainless steel. The base is in impact resistant material. Can be installed either above or below the sea level. A special macerator pump allows the expulsion up to 3.50 m in height. Self priming up to 1,5 mt. vertically. Equipped with seat lid and control panel. Port connections: inlet. 19mm. 3/4" and outlet 25/38mm. 1" & 1" 1/2. Space saving thanks to the possibility of rotating 90 degrees the pump and provided accessibility for servicing.



Space saver



Compact



Comfort



Laguna



Luxury Low



Luxury High



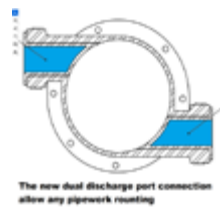
PART. N.	BOWL TYPE	VOLT	AMP	SEAT TYPE	SOFT CLOSE	CONVERSION KIT	DIMENSION IN MM. (width,depth,height) Open=height with seat open	KG
6500000412	SPACE SAVER	12	17	6500000002	YES	5500000712	335X420X345(630)OPEN	11
6500000424	SPACE SAVER	24	8	6500000002	YES	5500000724	335X420X345(630)OPEN	11
6500000712	COMPACT WOOD S.	12	17	6500000001	NO	5500000712	335X420X390(675)OPEN	12
6500000724	COMPACT WOOD S.	24	8	6500000001	NO	5500000724	335X420X390(675)OPEN	12
6700000712	COMPACT	12	17	6500000002	YES	5500000712	335X420X390(675)OPEN	11
6700000724	COMPACT	24	8	6500000002	YES	5500000724	335X420X390(675)OPEN	11
6700000812	COMFORT	12	17	6500000004	YES	5500000712	365X460X385(730)OPEN	12
6700000824	COMFORT	24	8	6500000004	YES	5500000724	365X460X385(730)OPEN	12
6500200912	LAGUNA	12	24	6500000002	YES	5500019112	340X405X410(720)OPEN	18
6500200924	LAGUNA	24	12	6500000002	YES	5500019124	340X405X410(720)OPEN	18
6500002412	LUXURY LOW	12	30	6500000007	YES	5500003812	365X455X385(790)OPEN	20
6500002424	LUXURY LOW	24	15	6500000007	YES	5500003824	365X455X385(790)OPEN	20
6500002612	LUXURY HIGH	12	30	6500000007	YES	5500003812	365X455X455(860)OPEN	22
6500002624	LUXURY HIGH	24	16	6500000007	YES	5500003824	365X455X455(860)OPEN	22

## Electric Evolution Conversion Kit

New dual port discharge pump to ensure pipework can be routed to rear

Converts compact and comfort bowl of most toilets with 4 bolt fixing bowls and bolt centres on a 95 mm (3 3/4") diameter circle such as Matromarine, Jabsco, TMC, Raritan, RM69, Johnson Pump, Thetford, Lalizas. Included kit contains all necessary parts, such as stainless steel bolts and washers, hose and gaskets and control panel. Space saving thanks to the possibility of rotating 90 degrees the pump and provided accessibility for servicing. Port connection 25 and 38 mm

5600000112 12V  
5600000124 24V.



NEW 2024

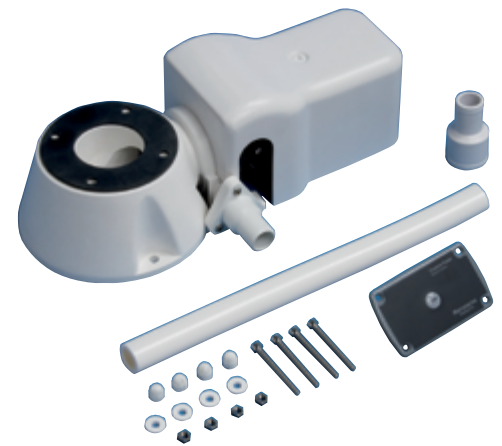


## Conversion Kits

Converts compact and comfort bowl of most toilets with 4 bolt fixing bowls and bolt centres on a 95 mm (3 3/4") diameter circle such as Matromarine, Jabsco, TMC, Raritan, RM69, Johnson Pump, Thetford, Lalizas. Included kit contains all necessary parts, such as stainless steel bolts and washers, hose and gaskets and in most toilets control panel as well.



**Manual**  
6100000700



**Electric Standard**  
5500000712 12V.  
5500000724 24V.

NEW 2024



**Electric Silent for flange bowl**  
5600000712 12V  
5600000724 24V.

New Electric Silent kit equipped with dual discharge outlet port. Suit also all deluxe and luxury bowl manufactured before 2012 and toilets having 4 bolt fixing bowls and bolt centres on a 95 mm  
Port connection 25 and 38 mm



Luxury low versions have another hose connection so always specify bowl type.  
Port connection 25 and 38 mm

**Electric Silent New centrifugal pump**  
5500019712-24 12/24V  
for Laguna Bowls.  
5500019812-24 12/24V.  
for Luxury/Deluxe bowls STD  
5500019812L-24 12/24V.  
for Luxury/Deluxe bowls LOW.

## Toilet Seats

Compact and comfort version are interchangeable with JABSCO, SP, TMC, RM69, TMC toilets.

6500000001

wooden seat for space saver, compact and laguna bowls

6500000002

soft close seat for space saver, compact and laguna bowls

6500000004

soft close seat for comfort bowls

6500000007

duroplast soft close seat for luxury bowls

6500000008

Thermosetting top quality material seat with ss hinges for deluxe bowls, can mount bidet fittings 6500000015

6500000013

Thermosetting soft close top quality material seat with ss hinges for luxury bowls



## Y-Valves

A universal valve to discharge either overboard or into waste tanks designed for long distance control by means of a push-pull cable. It can be used in three ways:

- 1) the water from the toilet is flushed into the sea or into the waste tank;
  - 2) the water is discharged from the waste tank into the sea by means of a macerator or on the quay by means of a suction pump;
  - 3) the macerator discharges into the sea or on the quay by means of a suction pump.
- Can be pad-locked.

## Vented loops

Indispensable component for inlet and discharge pipes of manual and electric toilets installed below the waterline.

Manual and electric marine toilets flushed with sea or river water require connections through the hull below water level

6000100010 19 mm inlet

6000100013 25 mm outlet

6000100015 25 mm outlet



6000100025

Port connection 38 mm



6000200025

Equipped with extra 25 mm straight inlet port and handle extension.

Can be operated through bulkhead.  
2x Orientable 360 degrees outlet  
port connections 38 mm

## Electrovalves

For centralized system with fresh water

CD:6500102012

CD:6500102024

Port Connection 1/2 mm hose Can be ordered together with all series of electrical silent toilets



New economy version with the body pump in plastic. Port connection

In 13 mm Out 19 mm included

CD:6500103012



## Flush Pumps

Newest generation of silent pumps equipped with 4 diaphragms. Indispensable equipment to supply water on all series of electrical silent toilets.

Delivery: 12 litres

CD. 2500001212 12 V.

CD. 2500001224 24 V



## Control Panel for Toilets

6000000715 for electric std.(manual operation) (1)

6500002003 for electric silent (automatic operation) with IC control system and level indicator. Extra slim and compatible with frames LEGRAND Vela/Cross (2)

6500002002 electric silent "Carling" rocker switch (manual operation) (3)

4500000118 probes for level indicator

6500001702 electric standard with level indicator (4)

Built in IC Control systems with 2 automatic flush buttons

1) Full flush 5 seconds delivery approx. 5 litres of water

2) Eco flush 2,5 seconds delivery approx. 2,5 litres of water. Extra slim and compatible with frames LEGRAND Vela/Cross



1



2



3



4

## Bidet

The new line of fitted design bowls in vitreous china makes this bidet very comfortable and at the same time smart and nice to be seen, just like a home bidet. Matromarine manufactures two models of separate bidets designed to match Matromarine Deluxe and Luxury toilets and to be a complement to any marine bathroom.

Same dimension of the Luxury Toilets. Delivered without tap. Fresh water is supplied through a swivel-nozzle fitted into a space in the appliance.



6500000022 Bidet std.

6500000023 Bidet std bevelled

## Bidet for Marine Toilets

6500000015 mixer tap for Deluxe bowls  
ONLY



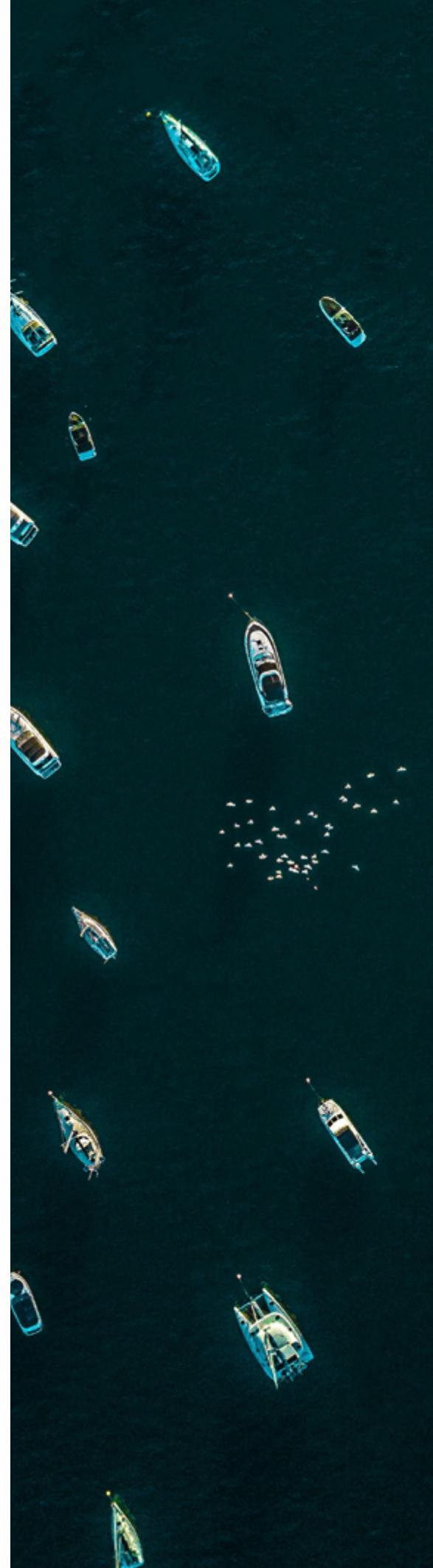
# Waste Water Treatment

New updated version of the waste water kit with the macerator pump or diaphragm pump mounted and already connected to the tank. The system includes tank, macerator, (y-valve is be ordered separately in all version), gas tank vent, activated carbon filter and control panel with probe to check the level in the tank.

ISO/USCG compliance: MATROMARINE models are fully compliant with ISO 8099:2000(E) Standards.

Odour-free design: MATROMARINE tanks have extra-heavy wall thickness to prevent odour permeation. Tanks can be fitted with an activated carbon filter that stops unpleasant odours from escaping through the holding tank vent. Multiple tank outlets: most Matromarine models are equipped with two discharge outlets: one is for connection to a deckmounted discharge fitting and the other is for connection to an overboard discharge pump. Leak-proof design: Matromarine one-hose connection is located on top of the tank, thus eliminating all possibility of leakage due to a faulty connection below the liquid level of the tank contents.

Our unique diptube design reduces the risk of clogging while keeping the residual contents in the tank to a minimum. New fast connection in strong PVC makes this kit the most easy-mounting and complete system present on the market for the treatment of waste waters. Available also in 24V. version upon request.



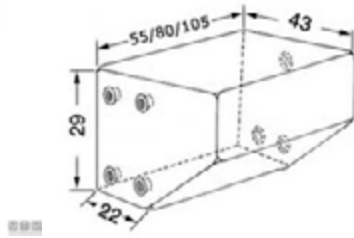


## Waste Water Tanks

### ROUNDED SHAPE

Complete with 4 dead female unions 3/4" dim. 19/20 mm. and 4 dead female unions 1 1/2" dim 38/40 mm. for rubber gasket. Complies with iso 8099.

9000000550	40 lt. 430 x 550 x 290 mm
9000000575	75 lt. 430 x 800 x 290 mm
9000000598	98 lt. 430 x 1050 x 290 mm

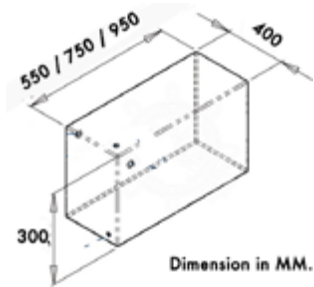


### UPGRADE 2024

### RECTANGULAR SHAPE

Waste Tanks. Complete with 1x 3/4" dim. 19/20 mm port connection and 2 x 1 1/2" dim 38/40 mm. port connections. Complies with iso 8099.

9100000553	53 lt. 550 x 400 x 300 mm
9100000573	73 lt. 750 x 400 x 300 mm
9100005103	103 lt. 950 x 400 x 300 mm



## Waste Water tank systems - Complete kit



Equipped with Macerator already connected to the tank, carbon filter, probe, level indicator, gas tank vent and a flange with 238 mm port connection and 1 for the airvent.

### UPGRADE 2024

CD. 9400000553	Kit for waste (rounded shape) 40 lt.
CD. 9400000573	Kit for waste (rounded shape) 75 lt.
CD. 9400005103	Kit for waste (rounded shape) 98 lt.

CD. 9300000550	Kit for waste (rounded shape) 40 lt.
CD. 9300000575	Kit for waste (rounded shape) 75 lt.
CD. 9300000598	Kit for waste (rounded shape) 98 lt.



Equipped with Diaphragm pump filter, probe, level indicator, gas tank vent, and 2 fittings carbon filter probe, level indicator, gas tank vent and 2 fittings. Silent operation and can run dry.

### UPGRADE 2024

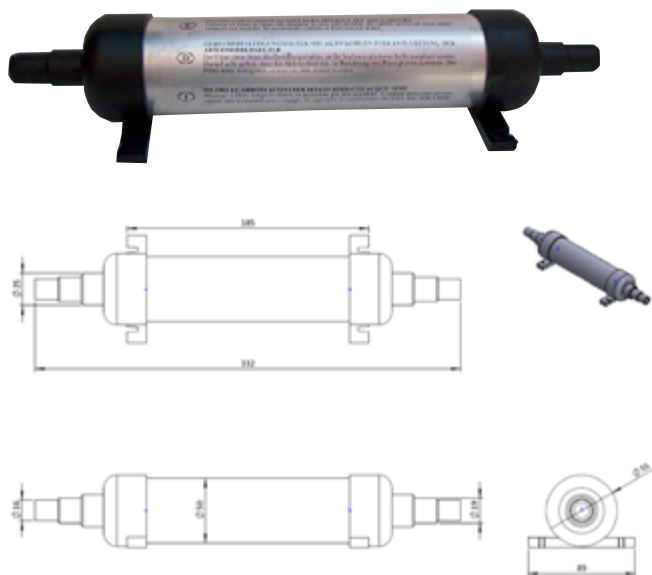
9600000547	Kit for waste (rectangular shape) 52 lt.
9600000578	Kit for waste (rectangular shape) 72 lt.

Y-valves needs to be ordered apart for all waste kits All part. numbers are equipped with 12v. electrical parts. Upon request all models are available also in 24v.

## Active carbon filter

Complete filter with 5/8" 3/4" ,1" nipples, Manufactured in light alloy and nylon this filter must be installed in the highest possible location along the breather of the tank. Carbon lifetime approx. 1 year.

CD. 9000000600 16/19/25 mm

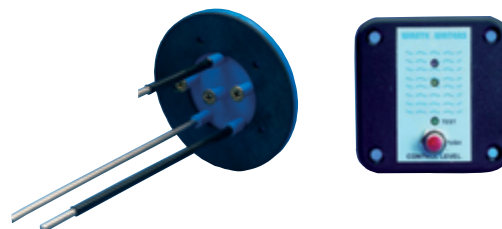


## Level indicator

Probes holder with 5 bushes in which there are 3 stainless steel probes for waste water mixture tank units. Plastic bushes 20 mm long, to avoid risk of short circuit due to the humidity inside the tank. A panel with a scale of 3 leds is advising on the almost full tank. Both holders and panels have VDO connections.

4500000140 LEVEL INDICATOR AND PROBES

4500000118 PROBE STANDARD  
4500000119 PROBE LENGHT 20 CM  
FOR old 47 L. TANK. version.



## Waste large water manual Pumps

Largest capacity manual bilge pump. Manufactured by hand using high quality materials. The heavy duty pump is ideal when long term durability and high performance is vital.



**NEW**

Three mounting options. A design that has been tried tested and trusted by sailors for decades. This clever bilge pump design allows great versatility in installation so that you can fit the pump in the orientation to best suit your boat.

- Most versatile high performance pump design
- 3 mounting orientations 1 pump (on-deck, thru-deck, on-bulkhead)
- High Performance - flow rate 56 ltrs (per min)
- Ease of maintenance inspection hatch - no tools required

5800000510 LARGE1000 (on-deck, thru-deck, on-bulkhead)

5800000520 LARGE 2000 (on-deck, on-bulkhead)

5800000530 LARGE 3000 (thru-deck)

5800003005 seal kit (easy fittings)

5800009000 gasket kit nitrile rubber

## Grey & Black diaphragm Water Pumps

A modern diaphragm pump that can be set up in several applications and with different pump motor configurations. It is easy to install as a bilge pump in any leisure craft or anywhere after the drain outlet in the waste water system or directly in the Matromarine waste water tank. No filters required, the pump can run dry, and can also handle a mixture of air and water without difficulty. Perfect for installation in tight spaces, the Laguna shower drain pump can be incorporated into a small boat bilge space. Available in version with double 19/25 mm port connection and 38 mm port connection. 38 mm version is equipped with straight and 360 degrees angled rotational port connection.



- Compact and simple design
- Flexible installation
- No filter required
- Can run dry
- Can pump air/water mixture
- Low power consumption
- Quiet operation
- Meets ISO 8846 EN55014 Std
- 360° rotational pump body
- Double non-return valve

PART. N.	VOLT	AMP	FLOW LPM/MIN	FLOW LPM 1,5 MT	HOSE CONNECTION MM.	DIMENSIONS MM.
8700101112	12	4,5	22	18	19-25 (GREY)	305x195x125mm
8700101124	24	2,5	22	18	19-25 (GREY)	305x195x125mm
8700001112	12	6	32	26	38 (WASTE)	355x195x125mm
8700001124	24	3	32	26	38 (WASTE)	355x195x125mm

## Macerator Pump Maxi Macerator Pump

Macerator Pump equipped with rotary cutter and impeller to discharge waste water with high capacity. Capacity 43 L/min (11,5 GMP) output at 4 m total head. Self priming up to 1,5 m vertical lift. Brass Stainless steel internal parts and pump body in thermo polymer with a long lasting impeller. or Brass pump body. on the 47 LPM version the total head is more than 5 vertical meter. Inlet port 38mm (1,5") and outlet 25mm (1") Interchangeable with Jabsco 18590-2092, Johnson Pump 10-24453-04.



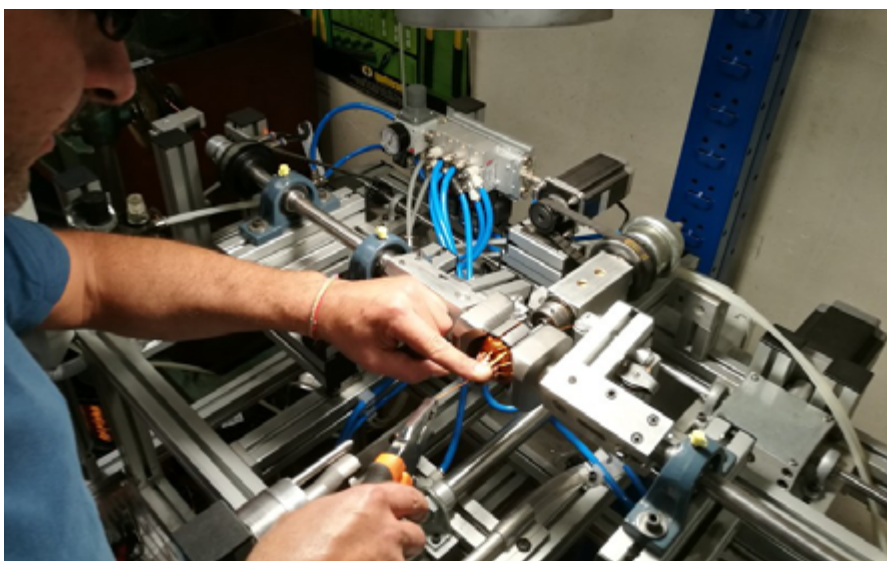
PART. N.	VOLT	AMP	FLOW	FLOW 3MT	CONNECTION IN/OUT	PUMP BODY	DIMENSIONS
5500001112	12	11	43 LPM	23 LPM	38 HOSE BARB1 1/2"/25 MM.	THERMO-POLYMER/S.S.	240X130X90mm
5500001124	24	6	43 LPM	23 LPM	38 HOSE BARB1 1/2"/25 MM.	THERMO-POLYMER/S.S.	240X130X90mm
5500000912	12	11	43 LPM	23 LPM	38 HOSE BARB1 1/2"/25 MM.	BRONZE	240X130X90mm
5500000824	24	6	43 LPM	23 LPM	38 HOSE BARB1 1/2"/25 MM.	BRONZE	240X130X90mm
5500001012	12	13	47 LPM	33 LPM	38 HOSE BARB1 1/2"/25 MM.	BRONZE	270X130X90mm
5500001024	24	7	47 LPM	33 LPM	38 HOSE BARB1 1/2"/25 MM.	BRONZE	270X130X90mm

# Marine Pumps and Accessories

Our company has been undertaking the creation of specific products for different fields of application for almost 50 years. Our line of marine pumps is definitely one of those areas where Ocean Technologies brand has distinguished itself for studying products with particular features dedicated to the environment. Our engineering department collaborates directly with quite all European and many non-European boat manufacturers in order to provide unsurpassed technical support as well as to ensure that Matromarine can always react quickly to the clients needs.

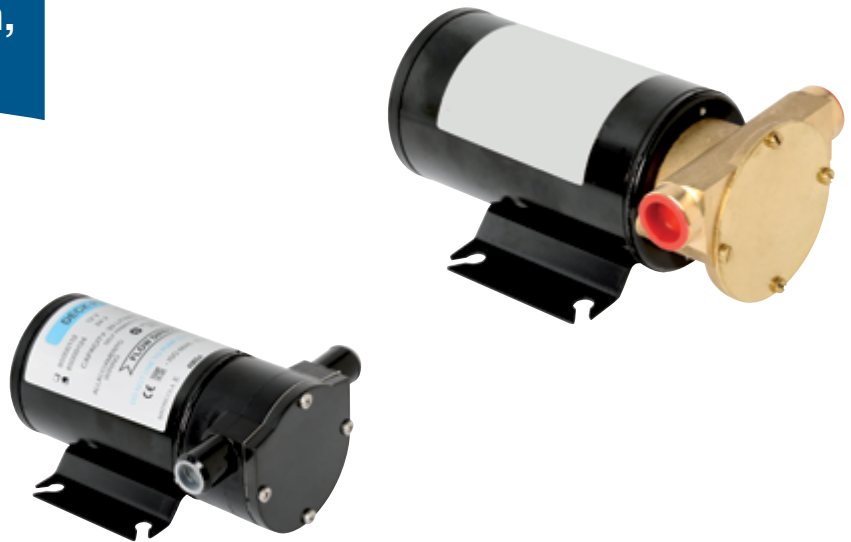
During all these years Matromarine has been pioneering a stream of innovation from the early brass pumps to the market leading deck pump, manual bilge pumps and macerator waste pumps. Over the last ten years, we have developed a lot of new products such as the new patented self priming gear pumps with only 1 gear in ptfе as well as new automatic bilge pumps with integrated float switch tested till 200.000 on/off range. All these new products have all been recognized by the marine industry innovation awards. Over the last 10 years, 36 new products have been introduced in our range, driven by a true culture of business innovation.

Today Ocean Technologies remains at the leading edge of engineering technology with a strong team using state of the art CAD, software development, data-logging and rapid prototyping equipment. We now manufacture completely a range of about 50 different marine pumps suitable to all applications. Capacities vary from 4LPM TO 140 LPM, allowing the proper matching of the pump to the desired use. All are fitted with heavy-duty motors to provide long service life under heavy use. Our series of marine pumps are employed for bilge pumping systems, wash down applications, deck wash, refuelling and waste water handling. Certified ISO 8846 - EN 55014.



## Marine Pumps for Deckwash, Bilge & Refuelling Deck Pumps

Ideal for deck washing, bilge pumping and pressurized systems Self priming up to 3/5 mt. vertical lift. All versions available upon request with super nitrile impeller.



PART. N.	MOD.	VOLT	AMP	FLOW/ LPM	FLOW 2 MT HEAD / LPM	HOSE CONNECTION	DIMENSION MM.	PUMP BODY
8500001112	ECO DECK PUMP	12	7	30	23	19 mm.	160x120x90	THERMO-POLYMER
8500001124	ECO DECK PUMP	24	4	30	23	19 mm	160x120x90	THERMO-POLYMER
8500000112	BRASS DECK PUMP	12	8	35	28	1/2" 19 mm	160x120x90	BRASS
8500000124	BRASS DECK PUMP	24	4	35	28	1/2" 19 mm	160x120x90	BRASS
8500000212	MAXI DECK PUMP	12	10,5	45	39	1/2" 19 mm	180x120x90	BRASS
8500000224	MAXI DECK PUMP	24	5,5	45	39	1/2" 19 mm	180x120x90	BRASS

## Diaphragm Pump

The new modern diaphragm pump that can be set up in several applications and with different pump motor configurations. It is easy to install as a bilge pump in any leisure craft or anywhere after the drain outlet in the waste water system or directly in the Matromarine waste water tank. No filters required, the pump can run dry, and can also handle a mixture of air and water without difficulty.

Perfect for installation in tight spaces, the SUPERCOMPACT diaphragm pump can be incorporated into a small boat bilge space. Available in version with double 19 mm port connection and 25 mm port connection. Equipped with straight port connections.

- New Compact and simple design
- Flexible installation
- No filter required
- Can run dry
- Can pump air/water mixture
- Low power consumption
- Quiet operation
- Mets ISO 8846 EN55014 Standards
- 360° rotational pump body
- Non-return valve



**NEW**

PART. N.	VOLT	AMP	FLOW/MIN	FLOW 1,5 MT/MIN	HOSE CONNECTION	DIMENSIONS
8700101512	12	4,5	22	15	19-25 (GREY)	190x245x125
8700101524	24	2,5	22	15	19-25 (GREY)	190x245x125

## Gear and Oilchanger Pump

**NEW**

Self priming electric gear pump particularly suitable for the transfer of oil, diesel, anti-freeze, water and viscous liquids. Available in different configurations: Single pump intermittent use with or without hoses kit, Single pump continuous use with or without hoses kit. New with watertight continuous running motor for the transfer and supply of gasoil, oil and water. Fitted with Carling ON/OFF/ON built-in watertight switch. It comes with: 13-mm drain hose, 2 x rilsan hoses (6 mm and 8 mm) for the engine housing, 1.5-m cable with clamps for the battery pack.

- Compact and simple design
- No filter required
- Pump body and gear in PTFE
- Patented
- Reversible flow direction
- Meets ISO 8846 EN55014 Standards



PART. N.	MOD.	VOLT	AMP	FLOW/ LPM	CONTINUOUS DUTY	MM. HOSE CONNECTION	DIMENSION	HOSE KIT
8500000312	GEAR PUMP	12	4	8	NO	3/8" 13 IN/OUT	140X80 mm	NO
8500000324	GEAR PUMP	24	2,5	8	NO	3/8" 13 IN/OUT	140X80 mm	NO
8500010312	OIL CHANGER PUMP	12	4,5	*	NO	3/8" 13 IN/OUT	140X80 mm	YES
8500000512	GEAR PUMP	12	6	12	YES	3/8" 13 IN/OUT	140X90 mm	NO
8500000524	GEAR PUMP	24	3	12	YES	3/8" 13 IN/OUT	140X90 mm	NO
8500010512	OIL CHANGER PUMP	12	6	*	YES	3/8" 13 IN/OUT	140X90 mm	YES
8500010524	OIL CHANGER PUMP	24	3	*	YES	3/8" 13 IN/OUT	140X90 mm	YES
8500010512N	O.C.P W/ REV. SWITCH	12	6	*	YES	3/8" 13 IN/OUT	205X90 mm	YES
8500010524N	O.C.P W/ REV. SWITCH	24	3	*	YES	3/8" 13 IN/OUT	205X90 mm	YES

## Single Vertical Diaphragm Pump

Well proven design that has been on the market for more than 30 years. This pump for bilge and other purposes has been a faithful mate for many boat owners. Self-priming up to 2 meters. Base and motor support are nylon made, and the movement is carried out on ball bearings. The pump can run dry for longer periods without suffering any damages. Delivered together with filter (pump guard). Capacity 18 l/min. Weight 2,5 Kg. Dimensions: 155x100x150

- Compact and simple design
- Filter 19 MM included
- Can run dry
- Low power consumption
- Quiet operation
- Meets ISO 8846 EN55014 Standards



8500101812 12V. 7,5 AMP.-  
 8500101824 24V. 4 AMP.-  
 8500001000 Pump guard, Filter.  
 Port connections: Inlet, Outlet: 19 mm



# Submersible bilge Pumps and float switches

Bilge pumping systems including automatic and non-automatic bilge pumps, switches and control. A complete selection of pumps is available for fishing boats, pleasure boats, cruisers, yachts, and commercial boats. Ocean Technologies Submersible bilge pumps have the highest standard for the industry and for over 39 years have been tested and approved as standard equipments by leading boat manufacturers.

- Affordable prices
- Whole production process carried out by us in our premises.
- 100% tested in our manufacturing facilities
- Compact, efficient, long life motors.
- Ability to run dry for short periods.
- Easy clean snap-lock strainer bases.
- Stainless steel shafts AISI 316
- Completely submersible.
- Marine grade blocked wiring.
- Rust and corrosion protection.
- Silent and vibrationless operation.
- CE and ISO 8844 certification.
- Ignition protection.



# Cartridge Bilge Pump

New series of marine water-cooled housing submersible bilge pumps. These pumps are durable and easy to install and they offer to the boaters a sleek new design that has been tested to be reliable and efficient, both in harsh saltwater and freshwater uses. Designed to be with detachable universal base plate with strainer and pin (for "T-slot") to attach a level switch for automatic operation. The cartridge feature also allows complete access to the impeller for easy cleaning and maintenance. Replacing the motor cartridge only allows the fittings and hose to remain totally intact. The models are equipped with 1 straight port connection 19 mm and 1 orientable 360 degree elbow on the 500 and 750 gph versions. The low version is the best solution in tight bilge areas and features a variety of mounting options to accommodate the boat bilge. The fixing plate can be rotated making the pump extremely easy to be installed

The Hd series are equipped with high professional mechanical seal and a non return valve. Upon request we can deliveries the hd pumps with the port connection 28 mm 1"1/8.

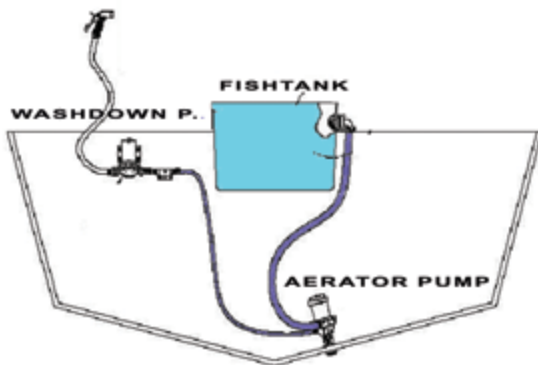


VERSION (PICS)	PART. N.	MOD.	VOLT	AMP	FLOW-	FLOW 1 MT/MIN	HOSE CONNECTION	DIMENSIONS
VERTICAL A	5700601115	500 GPH	12	1,8	32	25	19 mm 3/4"	79x130x116 mm
VERTICAL A	5700601133	750 GPH	12	2,7	50	42	19 mm 3/4"	79x130x116 mm
VERTICAL A	5700601134	750 GPH	24	1,5	50	42	19 mm 3/4"	79x130x116 mm
VERTICAL	5700601021	1100 GPH	12	4	75	65	28 mm 1" 1/8	79x130x116 mm
VERTICAL	5700601022	1100 GPH	24	2,5	75	65	28 mm 1" 1/8	79x130x116 mm
LOW B	5700603115	500 GPH	12	1,8	32	25	19 mm 3/4"	118X136x79 mm
LOW B	5700603133	750 GPH	12	2,7	50	42	19 mm 3/4"	118X136x79 mm
LOW B	5700603134	750 GPH	24	1,5	50	42	19 mm 3/4"	118X136x79 mm
LOW C	5700603021	1100 GPH	12	4	72	55	28 mm 1" 1/8	118X136x79 mm
LOW C	5700203022	1100 GPH	24	2,5	72	55	28 mm 1" 1/8	118X136x79 mm
HD D	5500000142	1750 GPH	12	9	115	105	33 mm 1" 1/4	170x158x130 mm
HD D	5500000144	1750 GPH	24	4,5	115	105	33 mm 1" 1/4	170x158x130 mm
HD D	5500000162	2250 GPH	12	13	145	135	33 mm 1" 1/4	170x158x130 mm
HD D	5500000164	2250 GPH	24	6,5	145	135	33 mm 1" 1/4	170x158x130 mm
SPARE PORTS-	MNPO0PR004	FOR HD					28mm 1"1/4	



# Aerator Bilge Pumps

New series of marine aerator water-cooled housing bilge pumps. These pumps are durable and easy to install, and they offer boaters a sleek new design that has been tested to be reliable and efficient, both in harsh saltwater and freshwater use. Equipped with stainless steel shaft and durable high impact thermoplastic housing. The cartridge feature also allows complete access to the impeller for easy cleaning and maintenance. Replacing the motor cartridge only allows the fittings and hose to remain totally intact. Base plate and port connection orientable for easiness of operation.

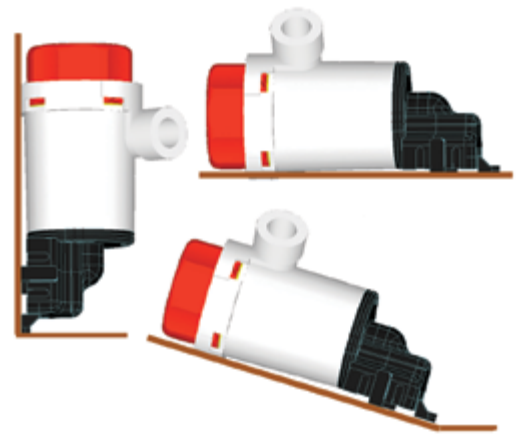


VERSION	PART. N.	MOD.	VOLT	AMP	FLOW/MIN	FLOW 1 MT/MIN	HOSE CONNEC-	DIMENSIONS
TWINPORT A	5700607115	500 GPH	12	1,8	32	25	19 mm	64x130x145 mm
TWINPORT A	5700607133	750 GPH	12	2,7	50	42	19 mm	64x130x145 mm
TWINPORT A	5700607134	750 GPH	24	1,5	50	42	19 mm	64x130x145 mm
TWINPORT A	5700607021	1100 GPH	12	4	75	65	28 mm	64x130x145 mm
TWINPORT A	5700207022	1100 GPH	24	2,5	75	65	28 mm	64x130x145 mm
ANGLED B	5700605115	500 GPH	12	1,8	32	25	19 mm	64x180x150 mm
ANGLED B	5700605133	750 GPH	12	2,7	50	42	19 mm	64x180x150 mm
ANGLED B	5700605134	750 GPH	24	1,5	50	42	19 mm	64x180x150 mm
ANGLED B	5700605021	1100 GPH	12	4	72	60	28 mm	64x180x150 mm
ANGLED B	5700205022	1100 GPH	24	2,5	72	60	28 mm	64x180x150 mm
STRAIGHT C	5700609115	500 GPH	12	1,8	32	25	19 mm	64x136x245 mm
STRAIGHT C	5700609133	750 GPH	12	2,7	50	42	19 mm	64x136x245 mm
STRAIGHT C	5700609134	750 GPH	24	1,5	50	42	19 mm	64x136x245 mm
STRAIGHT C	5700609021	1100 GPH	12	4	72	60	28 mm	64x136x245 mm
STRAIGHT C	5700209022	1100 GPH	24	2,5	72	60	28 mm	64x136x245 mm

## Cartridge Spare Motor

Universal cartridge motor that suits all Matromarine submersible bilge pumps new series.

Replacing the motor cartridge only allows the fittings and the hose to remain totally intact.



PART. N.	MOD.	VOLT	AMP	FUSE
5700600115	500 GPH	12	1,8	4
5700600133	750 GPH	12	2,7	3
5700600134	750 GPH	24	1,5	3
5700600021	1100 GPH	12	4,0	6
5700600022	1100 GPH	24	2,0	3
6000000142	1750 GPH	12	8	10
6000000144	1750 GPH	24	4	7
6000000162	2250 GPH	12	12	15
6000000164	2250 GPH	24	6	8



## Automatic Bilge Pumps

Laguna bilge pumps are equipped with a built-in electrically controlled snap switch making it fully automatic. No float switch needed and no power used until pump turns on when water level rises. These pumps are durable and easy to install, and they offer boaters a sleek new design that has been tested to be reliable, efficient and automatic operative in harsh saltwater and freshwater uses. Equipped with stainless steel shaft 316, and high-impact durable plastic housing. New blister packaging available with moq 100 pcs per articles.



- Compact, all-in-one unit
- Snap sensing switch integrated into the pump body
- No mercury
- Removable clip on basket design
- 3-wire device can be run in auto or manual override mode
- No tools needed for maintenance
- Extremely energy efficient
- Water-cooled motor for long service intervals
- Meets the international standard, ISO 8846 marine

PART. N.	MOD.	VOLT	AMP	FLOW/ MIN	FLOW 1 MT/MIN	HOSE CONNECTION	DIMENSION
5700205115	500 GPH	12	1,8	32	25	19 mm	151x78x95 mm
5700205133	750 GPH	12	2,7	50	42	19 mm	151x78x95 mm
5700205134	750 GPH	24	1,5	50	42	19 mm	151x78x95 mm
5700205021	1100 GPH	12	4	75	65	29 mm	151x78x95 mm
5700205022	1100 GPH	24	2,5	75	65	29 mm	151x78x95 mm

# New products 2025

## Aerator recirculation kit

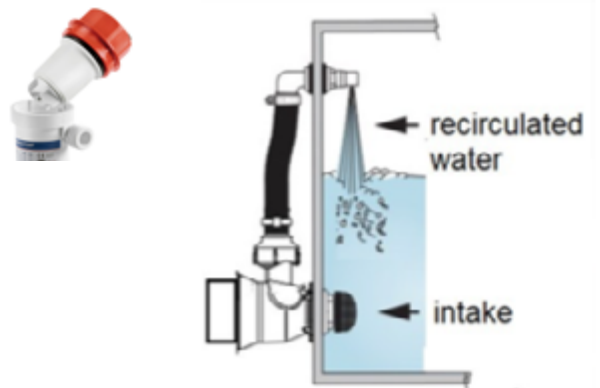
The “Cartridge” Recirq Kit recirculates tank water to keep it fresher and more oxygenated.

This self-contained system feeds a spray nozzle and oxygenator and can also operate while underway when the thru-hull connection is not available.

Add this kit to any tank that already has a freshwater fill system. Or use it as a backup pump for a fail-safe system.

Aerator Recirculation Kit Includes:

- 500 GPH or 750 GPH aerator pump with short inlet and threaded outlet
- bulkhead fitting with sprayer
- Stainless steel filter
- 2 plastic hose clamps
- 3/4” diameter x 23” long polyethylene tube
- Straight threaded connector - hose holder



- 5700609116 550 gph kit 12v
- 5700609135 750 gph kit 12v
- 5700609136 750 gph kit 24v.
- 6500000554 only spray nozzle spare
- 6500000554 spray nozzle complete spare hose kit

## Sensor Less

**NEW**

The control and activation device has been designed to solve problems already known, increasing the level of safety for automatic and constant monitoring of the efficiency and the correct functioning of the fluid lifting systems.

The fluid lifting pump control and activation device differs for the uniqueness of the sensor part combined with the electronic management that in no case is affected by the causes mentioned in the common failures, this combination allows a constant automatic control on the efficiency of the correct operation of the fluid lifting systems, activating the pump at pre-established programmable and continuous ranges according to the conditions.

Commonly used sensors type are: mechanic or floating technology resistive, capacitive, ultrasonic, control of the absorption of the electric current absorbed by the engine.

The devices mentioned above have weaknesses that are constantly manifested in the time with a different frequency depending on the type of device and on the installation site.

The problems are mainly due to the deposits released by the water or impurities of different type as well as materials that prevent the correct functioning of the sensors mentioned above.

Common faults:

- Various deposits of floating materials and/or limestone/saline/other formation that block the typical operation of a mechanical float
- Formation of limestone/saline/other that alter resistive/capacitive and ultrasonic response values
- Variation of the absorption of the engine pump (change in the norm due to the hours of use)

**8500000008** 15 Amp. 12 and 24 volt. 3/4 " female port connection

**8500000009** 20 Amp. 12 and 24 volt. 3/4 " female port connection

Switch activate to detect water can be configured according to user-defined time intervals

**BETWEEN 1 MINUT TO 24 HOURS**

**THE MOST FLEXIBLE SWITCH IN THE MARINE COMPARTMENTS: CAN BE INSTALLED TILL 1 METER FAR FORM THE PUMP.**

built in regulable off delay for efficient operation, prevents cycle in small sump installations or enables lower drain than 13mm (1/2")

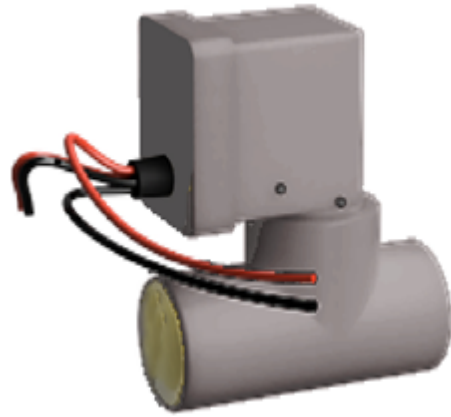
**THE BLUETOOTH INTEGRATION FOR REMOTE ACTIVATION AND CONTROLLING IS EXPECTED IN JULY 2024**

Additional spare male port connections:

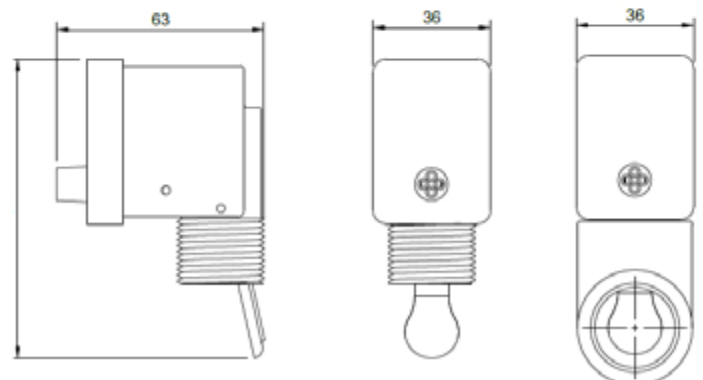
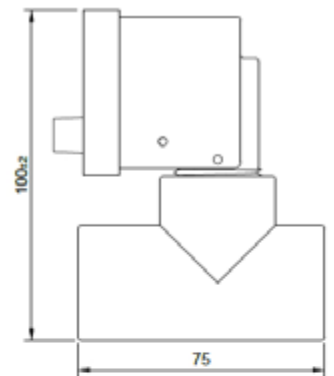
MN000ST017 PORT CONNECTION 3/4 19 MM

MN000ST019 PORT CONNECTION 3/4 25 MM

MN000ST020 PORT CONNECTION 3/4 30 MM



- New patent pending technology.  
5 years tested sensor free built-in technology, designed and developed from our R&D team.
- Switch is rated to handle all submersible and any bilge pumps up to 20 amps at 12 or 24 volts.
- Switch activate to detect water each 2 minutes and can be can be configured according to user-defined time intervals
- No moving parts
- Can be connected in any position
- Totally sealed solid state electronics
- Certificated according with ISO 8846 marine EN 55014



## Digital sensor switch

New digital technology. 5 years tested new sensor built in technology, designed and developed from our R&D team, The totally sealed detecting sensors are never in contact with water, thus assuring a high corrosion strength, without being affected by oil or foreign discards. LAGUNA SWITCH activates at a 50 mm (2") fluid level and deactivates at a 20 mm (3/4") fluid range. A five seconds delay prevents false starts. LAGUNA switch is rated to handle all submersible pumps up to 20 amps at 12 or 24 volts.

8500000107 12-24 V.

Dimension: 100x55x30 mm.

- Switch is rated to handle all submersible pumps up to 20 amps at 12 or 24 volts.
- No moving parts
- Totally sealed solid state electronics
- No mercury



## Three Way Bilge Switch Control

Give full control to all your equipment. Very simple employment just push the button for manual or automatic bilge pumping. Equipped with carling rocker switch with operating red led light.

4500000121



## Automatic Switches

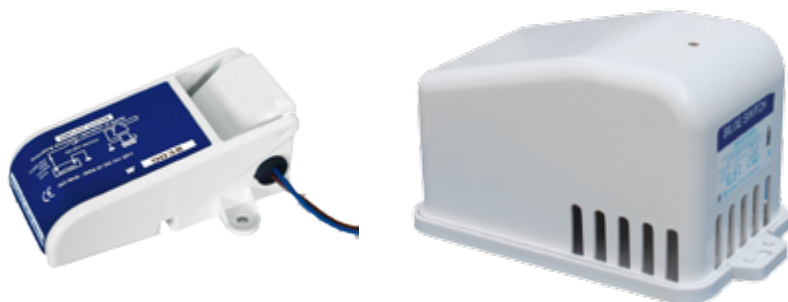
New mercury-free switch with "SNAP" movement with over 500.000 on/off. tested. 2 years of warranty. ISO 8846

8500000108 14

Amp. dim. 11x 7x 5h. cm

8500000109

14 Amp. with integral protection





# Ocean Marine Searchlight

Our range of marine lights are designed to wlast the rigors of sea-life. We engineer each product to match exact performance specification listings for an extra margin of safety. Our spotlights are designed to offer the best combination of beam spread (width) and intensity (length). Remote control and 4 mt. extension lead are included, spare extension lead and double station control panel available. All manufactured in special ABS (UVA protected) sun ray-proof materials.

**NEW SERIES OF SEARCHLIGHT PRO HALOGEN AND LED:**  
Designed to offer the best combination of spread beam (width) and intensity (length). Brighter and wider beam pattern for maximum viewing safety. The led series is equipped with 2 bright lights and high powered 25-15 watt led, deep light at 10° angle beam and 60° on the spot light. Maximum beam distance at 300 meters. New Brite LED technologies equivalent to 200 watt halogen. 7500 hours lifetime.

Two light operational mode: deep and spot a new powerful searchlight with improved style and performances, ideal for medium and big-sized yachts. Complete of water-proof remote control. Upon request the spotlight can be supplied with extension cord (4 mt. long). Body and base are in sun-ray white ASA material. Excellent corrosion-resistance, particularly suitable also in case of adverse weather conditions.

New wireless remote control for the new series of "searchlight pro" and suitable for both old and present Matromarine searchlights, halogen led and xenon.



## Wireless Panel

New wireless conversion remote control equipped in the new series of "searchlight pro" wireless. Plug and play with all Matromarine versions wire old and new.

CD. 7000000110 complete wireless remote panel with the wireless black box converter

Can pair till 5 spare wireless panel

\* Handheld & Dashmount

\* Receiver and transmitter included

\* Waterproof housing

\* Function: 4 Channel Wireless

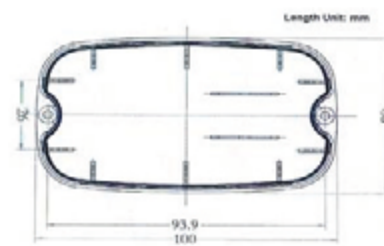
Remote Control RF 433.92 Mhz

\* Working temperature: 0°C to +70°C

CD. 7000000108 Spare panel or double station for wireless black box.



**NEW**



## Spotlights Led & Halogen, wired & wireless

The new series of searchlight pro is designed to offer the best combination of spread beam (width) and intensity (length). Brighter and wider beam pattern for maximum viewing. The led series is equipped with 2 bright lights with high powered 25-15 watt. led. including a deep beam with an 10° angle and 60° a width beam with 60° angle.

Maximum beam distance at 300 meters.

New Brite LED technologies equivalent to 200 watt halogen. 7500 hours lifetime.

Two light operational mode: deep and spot.

A new powerful searchlight with improved style and performances, ideal for medium and big-sized yachts. Complete of water-proof remote control. Upon request the spotlight can be supplied with extension cord (4 mt. long). Body and base are in sun-ray white ASA material. Excellent corrosion-resistance, particularly suitable also in case of adverse weather conditions.

**NEW**



PART. N.	MOD.	VOLT	AMP	CANDLE-POWER	RANGE AT 1 LUX	SPARE BULB	REMOTE CONTROL	DOUBLE STATION	LAMP
7000101112	wireless LED	12	4	170000	320 meters	7000100012	7000000110	7000000108	LED
7000101124	wireless LED	24	2	170000	320 meters	7000100024	7000000110	7000000108	LED
7000001112	wired LED	12	4	170000	320 meters	7000100012	7000000112	7100000112	LED
7000001124	wired LED	24	2	170000	320 meters	7000100024	7200000124	7100000124	LED
7000101212	wireless H4	12	8	125000	250 meters	7000100212	7000000110	7000000108	HALOGEN
7000101224	wireless H4	24	4	125000	250 meters	7000100224	7000000110	7000000108	HALOGEN
7000001212	wired H4	12	8	125000	250 meters	7000100212	7000000112	7100000112	HALOGEN
7000001224	wired H4	24	4	125000	250 meters	7000100224	7000000124	7100000124	HALOGEN

## Manual Version

With a handle rotation 340° same characteristics of the electrical single version.

## Double Spotlight

Two sealed beams 5" with filament light allowing to always enjoy a very luminous ray on each light, both if the light shaft is directed upwards and also when it is oriented down. Easy mounting thanks to the fitted fast connections.



**NEW**

## Xenon

Brighter, wider beam pattern for maximum viewing safety. Equipped with bright light and high powered 55 watt xenon lamp. Creates a 30 degree wider beam pattern and delivers still 8 times more than the halogen equivalent 55 watt lamp. More efficient design to perform better and run cooler than standard halogen lamps. Meets or exceeds original equipment quality standards. 2000 hours lifetime.

## Flood Light

Manufactured in stainless steel. Sealed beam bulb. No remote control. No extension cord. All electric spotlights can be supplied with an extra extension lead (4 mt. long) upon request

A



B



C



D



PART. N.	MOD.	VOLT	AMP	CANDLE-POWER	RANGE AT 1 LUX	SPARE BULB	REMOTE CONTROL	DOUBLE STATION	PIC.
700000001	manual H.100 W,	12	5	125000	262 meters	700001012	NO	NO	A
700000002	manual H.100 W,	24	3	125000	262 meters	700001024	NO	NO	A
710000012	electric H.2X55W.	12	9	130000	262 meters	7100001312	7200000112	7200100112	B
710000024	electric H.2X55W.	24	6,5	130000	262 meters	7100001324	7200000124	7200100112	B
7200100012	xenon 55 W.	12	8	600000	400 meters	7200101012	7200000112	7200100112	C
7200100024	xenon 55 W.	24	4	600000	400 meters	7200101024	7200000124	7200100124	C
7200000012	halogen 100 W.7"	12	8	150000	262 meters	7200001012	7000000112	7100000112	C
7200000024	halogen 100 W.7"	24	4	150000	262 meters	7200001024	7000000124	7100000124	C
7000000003	floodlight H. 55 W	12	3	60000	100 meters	NO	NO	NO	D
7000000004	floodlight H. 55 W.	24	1,5	60000	100 meters	NO	NO	NO	D



# Ocean Marine Blowers

**CENTRIFUGAL BLOWERS:** We manufacture a wide selection of marine blowers for marine engine compartments in strong nylon PA6 material homologated by R.I.N.A and with different capacities from 280m<sup>3</sup> up to 1000m<sup>3</sup> per hour. Screws and shaft in stainless steel. Flex mount and very strong dynamic flange mount. Low current draw. Continuous duty. Best ratio on the market between volume air flow and compact size. All models are ignition protected ISO 8846. Complying with ISO 8849, EN 55014, ISO 10133.

**280 mc/h**



**Flange < 550 mc/h**



**Flex < 550 mc/h**



PART. N.	MODEL	VOLT	AMP	CAPACITY MCH/CFM	PORT CONNECTIONS	DIMENSIONS LARGE x LENGHT x HEIGHT
5500001212	FLANGE 3"	12	3,8	280 / 163	Inlet: 75 mm - Outlet: 72 mm	200 x 165 x 195 mm
5500001224	FLANGE 3"	24	2	280 / 163	Inlet: 75 mm - Outlet: 72 mm	200 x 165 x 195 mm
5500101212	FLANGE 4"	12	12	550 / 344	Inlet: 100 mm - Outlet: 103 mm	290 x 257 x 150 mm
5500101224	FLANGE 4"	24	6	550 / 344	Inlet: 100 mm - Outlet: 103 mm	290 x 257 x 150 mm
5500101412	FLANGE 6"	12	10	750 / 441	Inlet: 150 mm - Outlet: 103 mm	290 x 257 x 170 mm
5500101424	FLANGE 6"	24	5	750 / 441	Inlet: 150 mm - Outlet: 103 mm	290 x 257 x 170 mm
5500101624	FLANGE 6"	24	9	1000 / 589	Inlet: 150 mm - Outlet: 103 mm	290 x 257 x 180 mm
5500102212	FLEX 4"	12	12	550 / 344	Inlet: 100 mm - Outlet: 110mm	290 x 257 x 150 mm
5500102224	FLEX 4"	24	6	550 / 344	Inlet: 100 mm - Outlet: 110mm	290 x 257 x 150 mm
5500102412	FLEX 6"	12	10	750 / 441	Inlet: 150 mm - Outlet: 110 mm	290 x 257 x 170 mm
5500102424	FLEX 6"	24	5	750 / 441	Inlet: 150 mm - Outlet: 110mm	290 x 257 x 170 mm
5500102624	FLEX 6"	24	9	1000 / 589	Inlet: 150 mm - Outlet: 110 mm	290 x 257 x 180 mm

## InlineBlowers

A modern range of inline blowers utilizing advanced fan blade design technology suitable for bulkhead mounting and for receiving 178 mm. diameter hoses. The first vane axial-flow bilge blowers designed using aerospace technology to maximize performance. No other bilge blowers on the market provides such a powerful system output at such a low power input and in so a compact size. Silent operation. For added durability, Matromarine incorporated an engineered plastic housing that withstands deformation during installation and shelters blade from housing interference. Complying with ISO 8846,EN 55014.

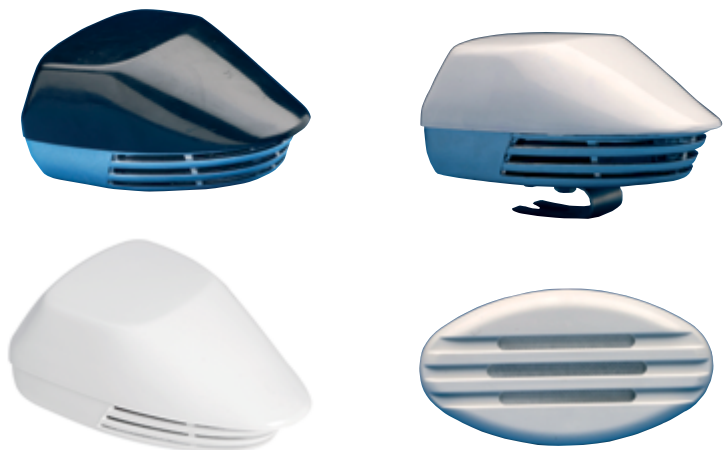
- Compact and simple design
- Flexible installation
- Low power consumption
- Quiet operation
- Meets Iso 8846 en55014 standards
- Five blade design maximizes flow and performance
- Long motor lifetime from powerful airflow cooling.



PART. N.	MODEL	VOLT	AMP	CAPACITY MCH/CFM	USAGE	PORT CONN.	DIMENSION LARGEXLENGHTXHEIGHT
<a href="#">5500105012</a>	FLANGE 7" VERSION A	12	5	750 / 441	INTERMITTENT	178 MM	250 x 220 HOSE:178 mm
<a href="#">5500105024</a>	FLANGE 7" VERSION A	24	2,5	750 / 441	INTERMITTENT	178 MM	250 x 220 HOSE:178 mm
<a href="#">5500105512</a>	FLANGE 7" VERSION B	12	5	750 / 441	INTERMITTENT	178 MM	165 x 220 HOSE:178 mm
<a href="#">5500105524</a>	FLANGE 7" VERSION B	24	2,5	750 / 441	INTERMITTENT	178 MM	165 x 220 HOSE:178 mm
<a href="#">5500115012</a>	FLANGE 7" VERSION A	12	7	1000 / 589	CONTINUOUS DUTY	178 MM	250 x 220 HOSE:178 mm
<a href="#">5500115024</a>	FLANGE 7" VERSION A	24	3,5	1000 / 589	CONTINUOUS DUTY	178 MM	250 x 220 HOSE:178 mm
<a href="#">5500115512</a>	FLANGE 7" VERSION B	12	7	1000 / 589	CONTINUOUS DUTY	178 MM	165 x 220 HOSE:178 mm
<a href="#">5500115524</a>	FLANGE 7" VERSION B	24	3,5	1000 / 589	CONTINUOUS DUTY	178 MM	165 x 220 HOSE:178 mm

## Ocean Marine Horns

A wide range of marine electromagnetic horns for pleasure boats. Casing in strong ABS material particularly suitable to roll bar installation. Easy to be mounted. Corrosion-resistant. Tested at 50.000 cycles (1" on-4" off) Type approval 70/388 EEC. Supplied with stainless steel fixed plate. Flush mounting horn to be installed on deck. Fully watertight.



PART. N.	COLOUR AND MATERIAL	TYPE	VOLT	AMP	DB AT 2 MT.	DIS- TANCE	HZ	DIMENSION L X W X H
<a href="#">7500000500</a>	WHITE ABS/ ZINC .IRIDE	SUPPORT	12	5,5	110	1000	420	150x100x70 mm
<a href="#">7500000501</a>	WHITE-CHROMED ABS./ZINC IRIDE	SUPPORT	12	5,5	110	1000	420	150x100x70 mm
<a href="#">7500000505</a>	BLACK ABS /ZINC IRIDE	SUPPORT	12	5,5	110	1000	420	150x100x70 mm
<a href="#">7500000510</a>	BLACK CHROMED/ZINC IRIDE	SUPPORT	12	5,5	110	1000	420	150x100x70 mm
<a href="#">7500000512</a>	WHITE ABS/ZINC IRIDE	FLUSH	12	1,1	109	1000	340	125X66X80 mm

## Foot Switch

Waterproof and suitable for any type of solenoid, universal 12 or 24 Volt. Available in 2 different colours: black or white

CD. 4500000002 Down

CD. 4500000003 Up

CD. 4500000022 Down WHITE

CD. 4500000033 Up WHITE

Dimensions: diameter 73 x 13 mm



## Power trim

It handles of a new concept of trim tab system, consisting of a revolutionary electro-mechanical movement.

It's powerful, precise, trouble-free and, contrarily to the hydraulic mode, it doesn't need a maintenance service or an expensive installation.

Shaft made of stainless steel and nylon glass fiber. Body without any hydraulic tube. Equipped with stainless steel hinge swivel. Turns 180° without problems. The stern mounting plates and the flaps are interchangeable with Bennett cylinders.



## Trim tabs

Designed to improve the boat performance, these trim tabs reduce fuel consumption and improve stability in trimming the boats. Manufactured in 304 stainless steel, they are easy to fit and to adjust, and can be mounted on different sizes of boats, according to the engine power.

Made of stainless steel, model fitted with 2.5 mm thickness and special swivelling hinge; the flap can rotate 180° without forcing or breaking the transom bracket. Can be mounted with our electro-mechanical cylinders or use the Bennett hydraulic models.

CD 3000000812 CYLINDER 12 V.

CD 3000000912 CYLINDER PAIR 12 V.

CD 3000000924 CYLINDER PAIR 24 V.

CD 3000000911 CONTROL TRIM

CD 3100000912 ELECTRIM 9 x 12"

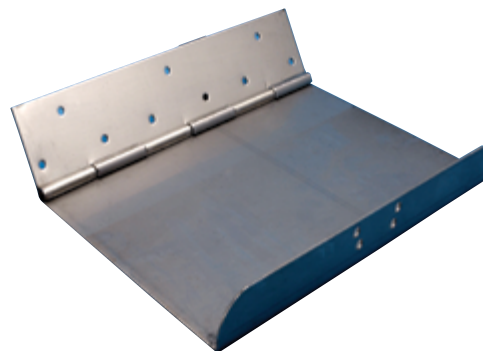
CD 3000000916 ELECTRIM 9 x 16"

CD 3000000922 ELECTRIM 9 x 22"

30x23 cm boat size: 4/4.5 mt.

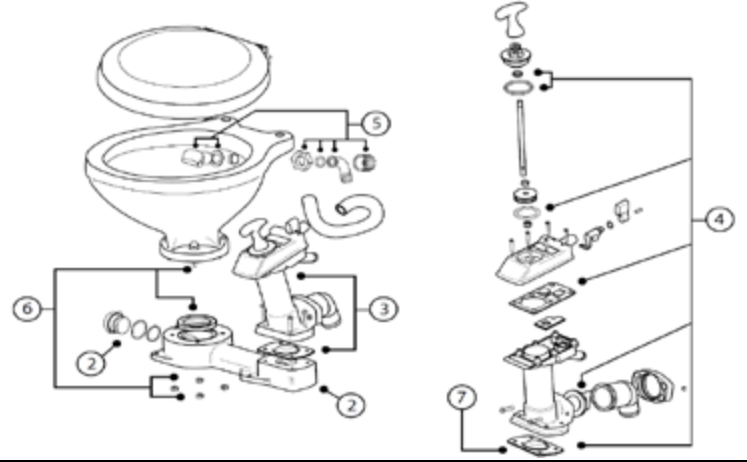
40x23 cm boat size 4.5/5mt

55x23 cm boat size 5/6 mt."

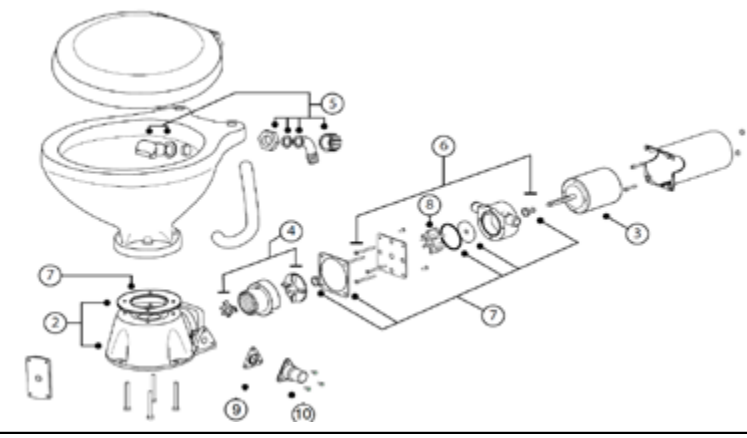


Service parts

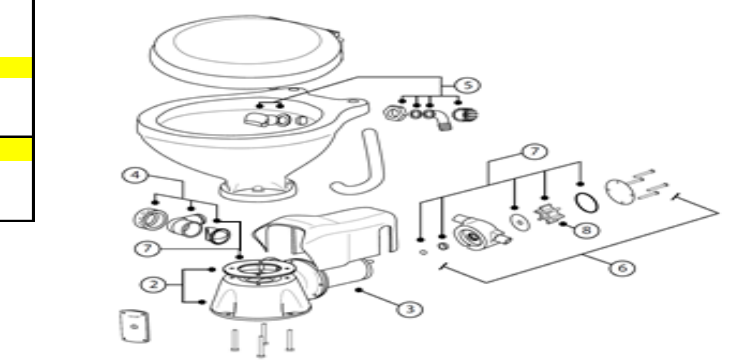
MANUAL TOILETS SPARE VALID FOR MODELS		COMMON SPARES	
<b>6600000700</b>	<b>MANUAL TOILET COMPACT 99 WOODEN SEAT</b>	6100000777	2 plastic base
65000000001	wooden seat compact	6100000770	3 manual pump with base gasket
61000000700	kit conversion 2k	6500011000	4 gasket kit 2k
65000000505	bowl compact	6500000553	5 intake elbow 90°
<b>6600200700</b>	<b>MANUAL TOILET COMPACT 99 SOFT CLOSE S.</b>	6000007011	6 bowls gasket/screws
65000000002	soft close seat compact	6000000706	check valve, outlet elbow and flange
61000000700	kit conversion 2k		
65000000505	bowl compact		
<b>6600200800</b>	<b>MANUAL TOILET COMFORT 99 SOFT CLOSE S.</b>		
65000000004	soft close seat comfort		
61000000700	kit conversion 2k		
65000000509	bowl comfort		
<b>6800200700</b>	<b>MANUAL TOILET SPACE SAVER SOFT CLOSE S.</b>		
65000000002	soft close seat compact		
61000000700	kit conversion 2k		
65000000503	bowl space saver		
<b>6800000700</b>	<b>MANUAL TOILET SPACE SAVER WOODEN SEAT</b>		
65000000001	wooden seat compact		
61000000700	kit conversion 2k		
65000000503	bowl space saver		



ELECTRIC TOILETS STANDARD SPARE VALID FOR MODELS		COMMON SPARES	
<b>6500000712</b>	<b>ELECTRIC TOILET COMPACT 12V. WOODEN SEAT</b>	5500000000	9 GASKET KIT
65000000001	wooden seat compact	6000007005	10 DISCHARGE PORT CONNECTION
55000000712	kit conversion 12v	5500019010	6 FLUSH PUMP GROUP PLASTIC
65000000505	bowl compact	6000007121	4 MACERATOR GROUP
<b>6500000724</b>	<b>ELECTRIC TOILET COMPACT 24V. WOODEN SEAT</b>	GM000PK001	8 IMPELLER
65000000001	wooden seat compact	6000007007	9 DISCHARGE VALVE
55000000724	kit conversion 24 v	6000007105	10 DISCHARGE PORT CONNECTION 90°
65000000505	bowl compact	6000007100	2,9,10 PLASTIC BASE
<b>6700000712</b>	<b>ELECTRIC TOILET COMPACT 12V.SOFT CLOSE S.</b>	6500000551	5 intake elbow straight port
65000000002	soft close seat compact	6000000712	3 ELECTRIC MOTOR 12V.
55000000712	kit conversion 12v	6000000724	3 ELECTRIC MOTOR 24V.
65000000505	bowl compact	6000007712	3,7,6,8 TOILET PUMP UNIT 12V.
<b>6700000724</b>	<b>ELECTRIC TOILET COMPACT 24V. SOFT CLOSE S</b>	6000007724	3,7,6,8 TOILET PUMP UNIT 24V.
65000000002	soft close seat compact		
55000000724	kit conversion 24 v		
65000000505	bowl compact		
<b>6500000812</b>	<b>ELECTRIC TOILET COMFORT 12V.SOFT CLOSE S.</b>		
65000000004	saoft close seat comfort		
55000000712	kit conversion 12v		
65000000509	bowl comfort		
<b>6500000824</b>	<b>ELECTRIC TOILET COMFORT 24V.SOFT CLOSE S</b>		
65000000004	soft close seat comfort		
55000000724	kit conversion 24 v		
65000000509	bowl comfort		
<b>6500000412</b>	<b>ELECTRIC TOILET space saver 12V.SOFT CLOSE S</b>		
65000000002	soft close seat compact		
55000000712	kit conversion 12v		
65000000503	bowl space saver		
<b>6500000424</b>	<b>ELECTRIC TOILET space saver 24V.SOFT CLOSE S</b>		
65000000002	soft close seat compact		
55000000724	kit conversion 24 v		
65000000503	bowl space saver		



ELECTRIC TOILETS STANDARD EVOLUTION		COMMON SPARES	
<b>6400000712</b>	<b>EVO TOILET COMPACT 12V.SOFT CLOSE S.</b>	5600000405	2 BASE GROUP
65000000002	soft close seat compact	6000056112.1	3 MOTOR GROUP 12V.
56000000112	kit conversion 12v	6000056124.1	3 MOTOR GROUP 24V.
65000000505	bowl compact	5600000407	4 OUTLET ELBOW
<b>6400000724</b>	<b>EVO TOILET COMPACT 24V. SOFT CLOSE S</b>	6500000553	5 intake elbow 90°
65000000002	soft close seat compact	5600000110	6 FLUSH PUMP GROUP PLASTIC straight
56000000124	kit conversion 24 v	5600000100	7 GASKET KIT
65000000505	bowl compact	GM000PK001	8 IMPELLER
<b>6400000812</b>	<b>EVO TOILET COMFORT 12V.SOFT CLOSE S.</b>		
65000000004	saoft close seat comfort		
56000000112	kit conversion 12v		
65000000509	bowl comfort		
<b>6400000824</b>	<b>EVO TOILET COMFORT 24V.SOFT CLOSE S</b>		
65000000004	soft close seat comfort		
56000000124	kit conversion 24 v		
65000000509	bowl comfort		
<b>6400000312</b>	<b>EVO TOILET COMPACT 12V.SOFT CLOSE S.</b>		
65000000002	soft close seat compact		
56000000112	kit conversion 12v		
65000000503	bowl space saver		



ELECTRIC TOILET SILENT SPARE VALID FOR MODELS		COMMON SPARES		
<b>6600200712</b>	<b>ELECTRIC TOILET COMPACT 12V. SOFT CLOSE S</b>	5600000405	2	BASE GROUP
6500000002	soft close seat compact	6000002112	3	MOTOR GROUP 12V.
5600000712	kit conversion 12v	6000002124	3	MOTOR GROUP 24V.
6500000505	bowl compact	5600000407	4	OUTLET ELBOW
<b>6600200724</b>	<b>ELECTRIC TOILET COMPACT 24V. SOFT CLOSE S</b>	6500000551	5	intake elbow
6500000002	soft close seat compact			
5600000724	kit conversion 24 v			
6500000505	bowl compact			
<b>6600200812</b>	<b>ELECTRIC TOILET COMFORT 12V.SOFT CLOSE S</b>			
6500000004	soft close seat comfort			
5600000712	kit conversion silent 12v			
6500000509	bowl comfort			
<b>6600200824</b>	<b>ELECTRIC TOILET COMFORT 24V.SOFT CLOSE S</b>			
6500000004	soft close seat comfort			
5600000724	kit conversion silent 24 v			
6500000509	bowl comfort			

ELECTRIC TOILET STANDARD Laguna SPARE VALID FOR MODELS		COMMON SPARES		
<b>6500200912</b>	<b>ELECTRIC TOILET LAGUNA 12V. Soft c. SEAT</b>	5500019100	4	all gaskets in the 4,5,6,7,8 set)
6500000002	soft close seat compact	5500019008	5	PLASTIC BASE LAGUNA AND DELUXE STD/LOW
5500019112	kit conversion std laguna 12v	5500019010	4	FLUSH PUMP GROUP PLASTIC for laguna version
6500000512	bowl laguna	5500003810	5	FLUSH PUMP GROUP PLASTIC for luxury version
<b>6500200924</b>	<b>ELECTRIC TOILET LAGUNA 24V. Soft c. SEAT</b>	6000019112	6	ELECTRIC MOTOR 12V. LAGUNA AND DELUXE STD/LOW
6500000002	soft close seat compact	6000019124	6	ELECTRIC MOTOR 24V. LAGUNA AND DELUXE STD/LOW
5500019124	kit conversion std laguna 24 v	GM000PK001	7	IMPELLER
6500000512	bowl laguna	5500019006	8	OUTLET ELBOW LAGUNA AND DELUXE STD/LOW
		6500000553	2	intake elbow for luxury/deluxe
		6500000551	2	intake elbow laguna

<b>6500002412</b>	<b>ELECTRIC TOILET 12V. "Luxury" LOW</b>		
6500000007	SEAT FOR LUXURY SOFT CLOSE		
6500000545	NEW LUXURY TOILET BOWL LOW		
5500003812	COMPLETE PUMP KIT KIT 12V.		
<b>6500002424</b>	<b>ELECTRIC TOILET 24V."Luxury" LOW</b>		
6500000007	SEAT FOR LUXURY SOFT CLOSE		
6500000545	NEW LUXURY TOILET BOWL LOW		
5500003824	COMPLETE PUMP KIT 24 V.		
<b>6500002612</b>	<b>ELECTRIC TOILET 12V. "Luxury" STD</b>		
6500000007	SEAT FOR LUXURY SOFT CLOSE		
6500000547	NEW LUXURY TOILET BOWL STD		
5500003812	COMPLETE PUMP KIT KIT 12V.		
<b>6500002624</b>	<b>ELECTRIC TOILET 24V."Luxury" STD</b>		
6500000007	SEAT FOR LUXURY SOFT CLOSE		
6500000547	NEW LUXURY TOILET BOWL STD		
5500003824	COMPLETE PUMP KIT 24 V.		

ELECTRIC TOILET SILENT LAGUNA SPARE VALID FOR MODELS		COMMON SPARES		
<b>6600200912</b>	<b>ELECTRIC TOILET COMPACT 12V.soft c. SEAT</b>	5500019708	4	PLASTIC BASE LAGUNA KIT
6500000002	soft close seat compact	6000019012	8	ELECTRIC MOTOR 12V. LAGUNA AND DELUXE STD/LOW
5500019712	kit conversion silent laguna 12v	6000019024	8	ELECTRIC MOTOR 24V. LAGUNA AND DELUXE STD/LOW
6500000512	bowl laguna	6500000551	2	intake elbow laguna/deluxe/luxury
<b>6600200924</b>	<b>ELECTRIC TOILET COMPACT 24V. Soft c. SEAT</b>	5500019706	5	OUTLET ELBOW LAGUNA AND DELUXE STD/LOW
6500000002	soft close seat compact	5500019705	9&6	HOSES KIT FOR LAGUNA SILENT
5500019724	kit conversion silent laguna 24 v	5500019100		ALL GASKET IN THE 5,8,4 SET
6500000512	bowl laguna			

ELECTRIC SILENT DELUXE/LUXURY SPARE VALID FOR MODELS		COMMON SPARES		
<b>6500003212</b>	<b>HYDRO-VACUUM TOILET 12V. "Deluxe" STD</b>	5500019708	4	PLASTIC BASE LUXURY DELUXE STD/LOW
6500000008	SEAT FOR DELUXE colbam	6000019012	8	ELECTRIC MOTOR 12V. LAGUNA AND DELUXE STD/LOW
6500000542	NEW DELUXE TOILET BOWL STD	6000019024	8	ELECTRIC MOTOR 24V. LAGUNA AND DELUXE STD/LOW
5500019812	COMPLETE PUMP KIT 12V.	6500000551	2	intake elbow laguna/deluxe/luxury straight port
<b>6500003224</b>	<b>HYDRO-VACUUM TOILET 24V. "Deluxe" STD</b>	5500019706	C	OUTLET ELBOW LAGUNA AND DELUXE STD/LOW
6500000008	SEAT FOR DELUXE colbam	5500019805	9&6	HOSES KIT FOR DELUXE/LUXURY
6500000542	NEW DELUXE TOILET BOWL STD	5500019100		ALL GASKET IN THE 5,8,4 SET
5500019824	COMPLETE PUMP KIT 24V.			

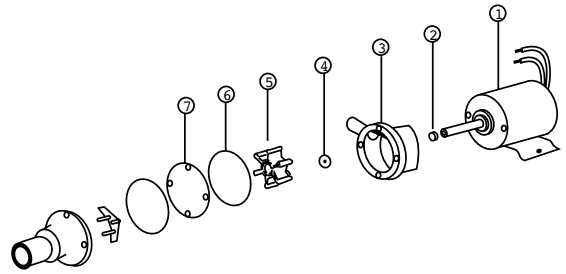
<b>6500002042</b>	<b>HYDRO-VACUUM TOILET 12V. "Luxury" LOW</b>		
6500000007	SEAT FOR LUXURY SOFT CLOSE		
6500000545	NEW LUXURY TOILET BOWL LOW		
5500019812L	COMPLETE PUMP KIT 12V.(LOW)		
<b>6500002044</b>	<b>HYDRO-VACUUM TOILET 24V."Luxury" LOW</b>		
6500000007	SEAT FOR LUXURY SOFT CLOSE		
6500000545	NEW LUXURY TOILET BOWL LOW		
5500019824L	COMPLETE PUMP KIT 24 V. (LOW)		
<b>6500002242</b>	<b>HYDRO-VACUUM TOILET 12V. "Luxury" STD</b>		
6500000007	SEAT FOR LUXURY SOFT CLOSE		
6500000547	NEW LUXURY TOILET BOWL STD		
5500019812	COMPLETE PUMP KIT 12V.		
<b>6500002244</b>	<b>HYDRO-VACUUM TOILET 24V."Luxury" STD</b>		
6500000007	SEAT FOR LUXURY SOFT CLOSE		
6500000547	NEW LUXURY TOILET BOWL STD		
5500019824	COMPLETE PUMP KIT 24 V.		

**MACERATOR PUMP**

EXPLODED VIEW.

SPARE PART LIST: (PG18)

- 01) 6000000912/924 MOTOR 12/24 V.
- 08) PL000MC002 MACERATOR PROPELLER
- 04) GM000PK008 OIL SEAL
- 05) GM000PK001 MACERATOR IMPELLER
- 5500000005 MACERATOR KIT (2-4-5-6)

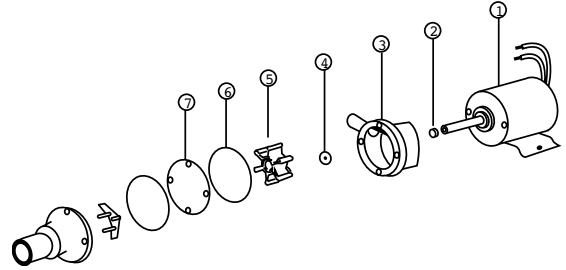


**MAXI MACERATOR PUMP**

EXPLODED VIEW.

SPARE PART LIST: (PG18)

- 01) 6000001012/1024 MOTOR 12/24 V.
- 08) PL000MC002 MACERATOR PROPELLER
- 04) GM000PK008 OIL SEAL
- 05) GM000PK001 MACERATOR IMPELLER
- 5500000005 MACERATOR KIT (2-4-5-6)

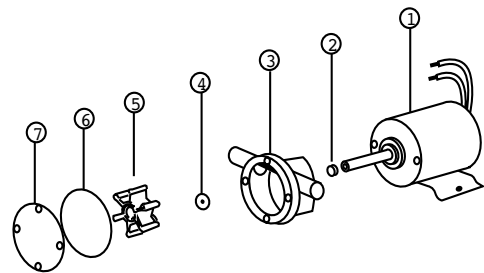


**DECK PUMP AND ECO DECK**

EXPLODED VIEW.

SPARE PART LIST: (PG20)

- 01) 6000000112/24 MOTOR 12/24 V.
- 04) GM000PK008 OIL SEAL
- 05) GM000PK001 IMPELLER 6000001113 ULTRA NITRILE IMPELLER
- 8500000111 SERVICE KIT (2-4-5-6)
- 8500000100 PUMP GROUP (3-4-5-6-7)

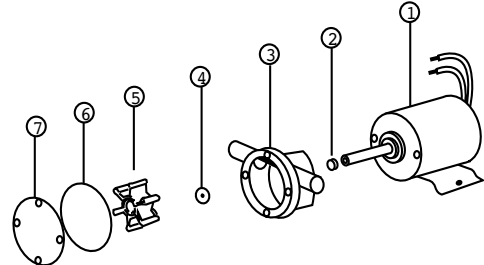


**MAXI DECK PUMP:**

EXPLODED VIEW.

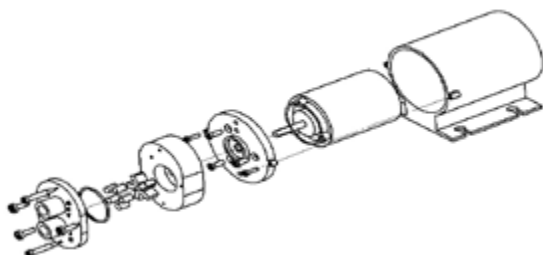
SPARE PART LIST: (PG20)

- 01) 6000000212/24 MOTOR 12/24 V.
- 04) GM000PK008 OIL SEAL
- 05) GM000PK001 IMPELLER 6000001113 ULTRA NITRILE IMPELLER
- 8500000111 SERVICE KIT (2-4-5-6)
- 8500000100 PUMP GROUP (3-4-5-6-7)



**GEAR PUMP (PG21)**

- Motor group: 6000000312 8 lpm 12 v
- Motor group: 6000000324 8 lpm 24 v
- motor group 6000000512 12 lpm 12v.
- motor group 6000000524 12 lpm 24v.
- pump group: 8500000308 FOR BOTH MODELS.
- mn000pi001: hose barb 14 mm. 3/8 "
- 8500000310 HOSES KIT 8/6 mm
- 8500000510 HOSES KIT 8/6 mm for 512 and 524 VERSIONS.

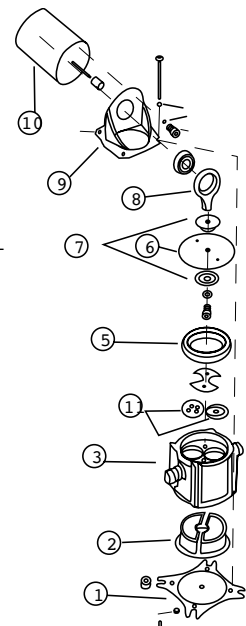


**DIAPHRAGM PUMP (PG21)**

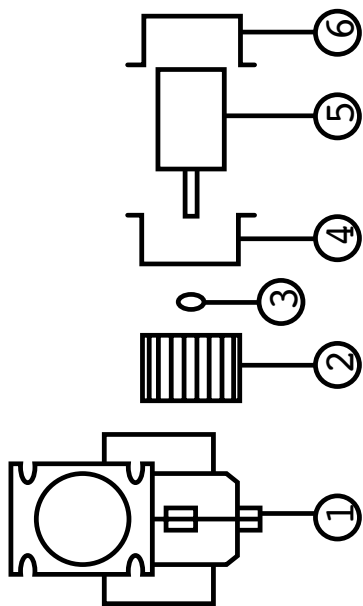
EXPLODED VIEW.

SPARE PART LIST:

- 1) PL000PM005 BOTTOM PLATE
- 2) GM000PM004 PULSATION DAMPENER
- 3) PL000PM001 PUMP BODY
- 5) PL000PM002 RETAINER
- 6) GM000PM001 DIAPHRAGM
- (6-7-11-2) 8500001800 SERVICE KIT
- 7) TC000PM003 DRAWN WASHERS
- 8) 8500001808 CONNECTING ROD
- 9) PL000PM006 MOTOR BRACKET
- 10) 60000001812/24 MOTOR 12/24 V.
- 11) 8500001801 VALVE SET



CENTRIFUGAL BLOWER  
(PG31):



SPARE PARTS:

- 2) PL000BL004 BLOWER FAN 280 M3/H 2)
- PL000BL012 BLOWER FAN (ALL OTHER MODELS)
- 5) 6000001212-24 MOTOR BLOWER 12 V-24V 280 M3/H
- 6000101212-24 MOTOR BLOWER 12 V-24V- 550 M3/H
- 6000101412/ 24 MOTOR BLOWER 12 V.-24 V 750 M3/H
- 6000101624 MOTOR BLOWER 24 V1000 M3/H
- PL000BL013 PLASTIC FLEXMOUNT BRACKET (MODEL < 550 M3/H)

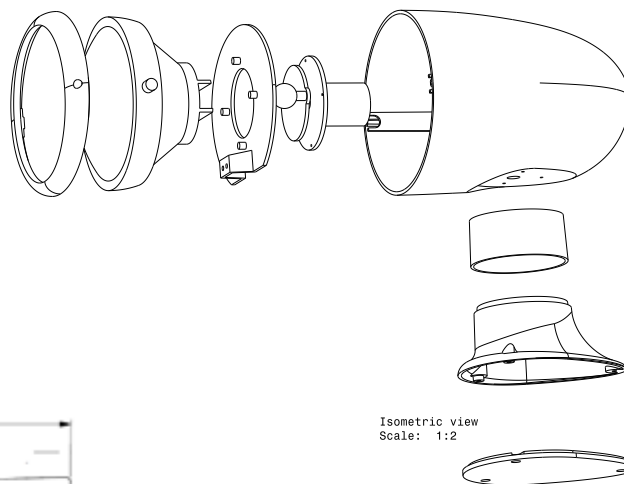
SPARE GRIDS:

- 6000001215 GRATE FOR 5500001212/24
- PL000BL017 GRATE 120X120 MM.FOR ALL THE OTHER MODELS
- PL000BL005 REDUCTION FOR 5500001212/24

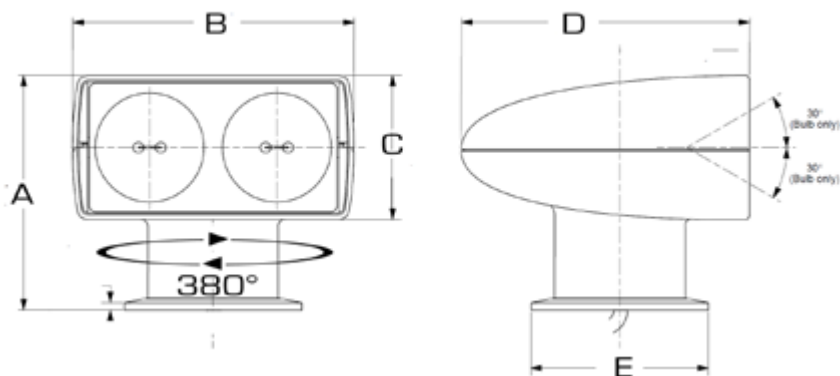
SPOTLIGHTS(PG29-30)

SPARE PARTS:

- ME000FR010 QUICK EXTENSION LEAD 4 MT.
- 7000002008 BASE MOTOR GROUP
- 7000002009 BODY MOTOR GROUP
- SPARE BULBS FOR 7000000012/24 NOW DISCONTINUED
- 7000001012 SINGLE HEADLIGHT HALOGEN 12VOLT
- 7000001024 SINGLE HEADLIGHT HALOGEN 12VOLT



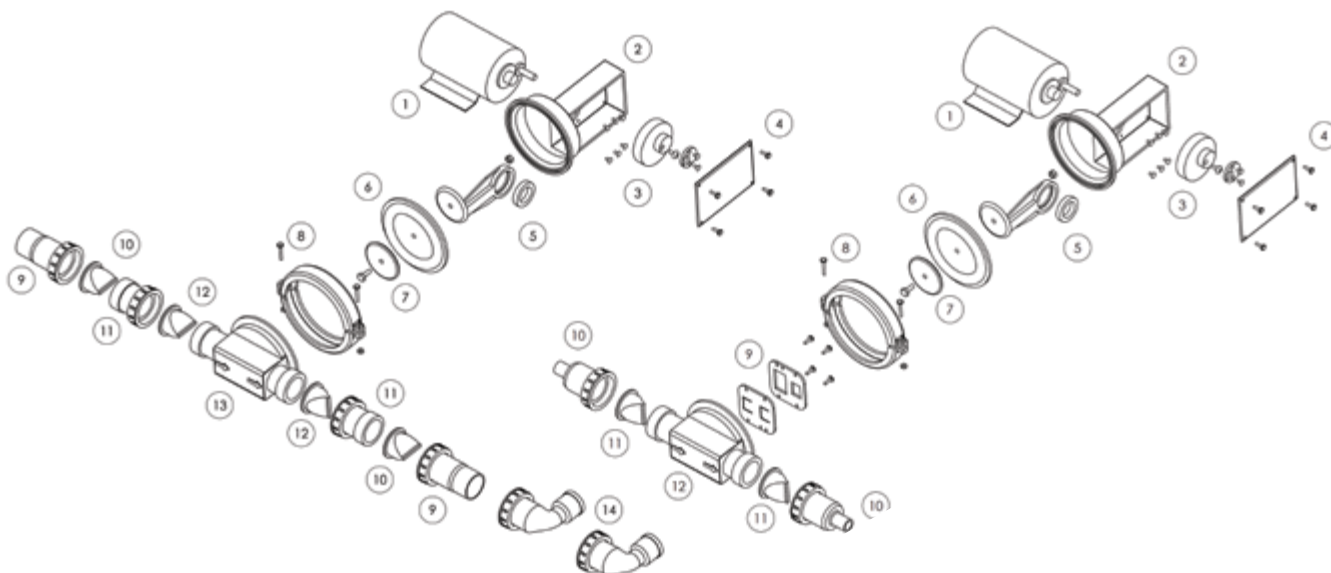
Isometric view  
Scale: 1:2



PART N.	DESCRIPTION	WEIGHT KG.	A	B	C	D	E
7000001112-24	SINGLE H4	2	245	190	146	230	
7100000012-24	DOUBLE H2	2,2	220	275	115	225	
7000101112-24	LED	2,2	245	190	146	230	
7200000012-24	2005 H3	2,4	320	260	156	350	
7200100012-24	XENON	2,9	320	260	156	350	
7000000003-4	FLOODLIGHT	0,6	140	120	115	65	

Dimension in mm. column "c" is the size of the spare headlight.

## GREY AND WASTE WATER PUMP (PG18)



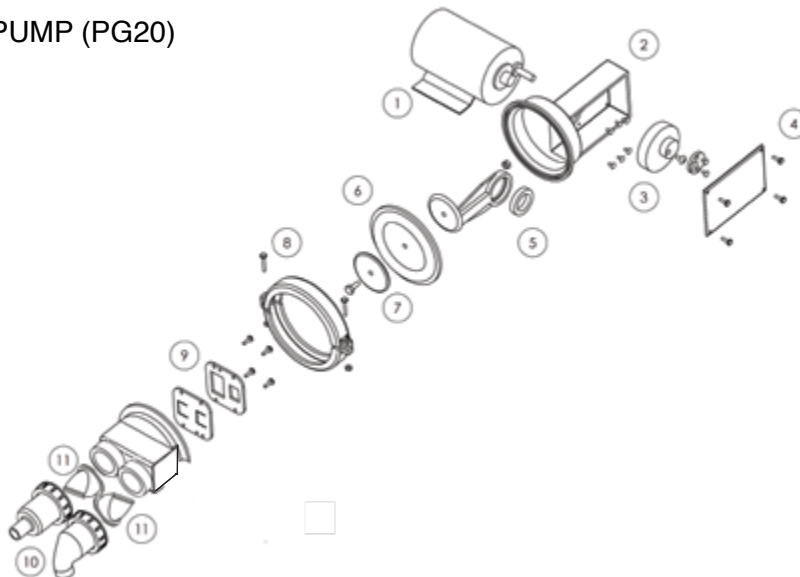
### EXPLODED VIEW / SPARE PART LIST:

- 01) 6000108712-24 motor 12/24 v.
- 05)-07) 8700001105 piston rod.
- 06)-10)-12) 8700001106 gasket kit
- 08) 8700001108 fixing clamps
- 09)-10)-11)-12)-13)-14) 8700001110

### EXPLODED VIEW / SPARE PART LIST:

- 01) 6000108512-24 motor 12/24 v.
- 05)-07) 8700001105 piston rod.
- 06)-10)-12) 8700001106 gasket kit
- 08) 8700001108 fixing clamps
- 09)-10)-11)-12)-13)-14) 8700101110

## SUPER-COMPACT DIAPHRAGM PUMP (PG20)



### EXPLODED VIEW / SPARE PART LIST:

- 01) 6000108512-24 22 litres motor 12/24V.
- 05)-07) 8700001105 piston rod.
- 06)-9)-11) 8700101111 gasket kit
- 08) 8700001108 fixing clamps
- 10)-11)-12) 8700151110 grey pump group with 19 and 25 mm. port.



# Worldwide Distributors, manufacturing process & Customer Satisfaction

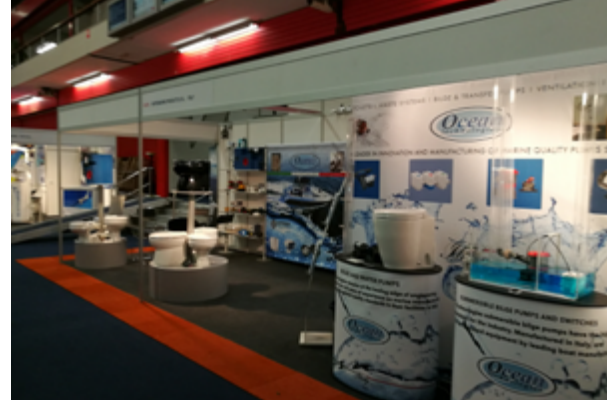
Ocean Technologies is a well - known brand with a reputation built on 40 years of high quality design expertise. Today, we supply marine customers around the world with innovative marine pumps and toilets, waste water handling products, lighting and ventilation equipments. We are proud to design, manufacture and export them in 70 countries all over the world through our authorized distributors and private labels customers.

Email: [info@matromarine.com](mailto:info@matromarine.com)  
Phone +39 010 963 0004

Matromarine strongly believe that customer service is the foundation of our ability to build and maintain business relationships in the markets we service. Our philosophy will always lead our commitment to a reliable customer service, which is evident in our attention to details.

Matromarine continues to raise the bar for end-product performance with cutting edge technology, intellectual property and global manufacturing skills.

We look at the future challenges of the new century with the trust built with our customers through the strength in our team.



# BOATING IS SAFE WITH US!

Discover our range of products  
in the new website:  
[WWW.MATROMARINE.COM](http://WWW.MATROMARINE.COM)

All rights reserved. Matromarine  
is not responsible for any printing,  
mechanical or other errors and  
reserves the right to change technical  
specifications, design features and  
dimensional data without prior  
notice or obligation.

MATROMARINE PRODUCTS SRL  
VIA SEREGHE 1 16017  
ISOLA DEL CANTONE  
GENOVA ITALY  
TEL.:+390109630004  
FAX.:+390109630029  
[INFO@MATROMARINE.COM](mailto:INFO@MATROMARINE.COM)

